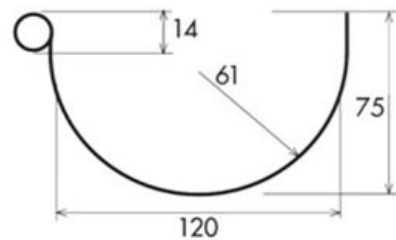
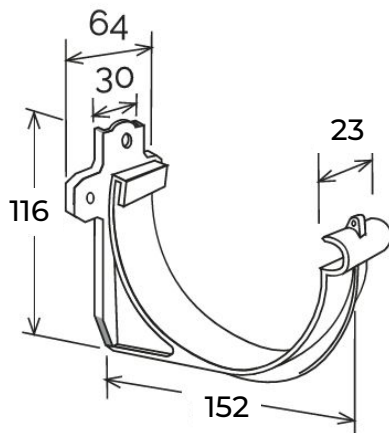


Bracket for gutter profile \varnothing 125 **STEEL**

STEEL



Section GRN125

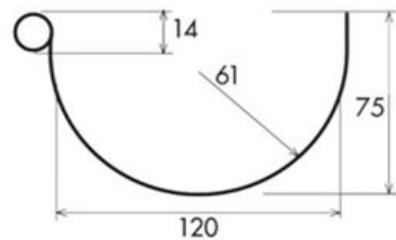
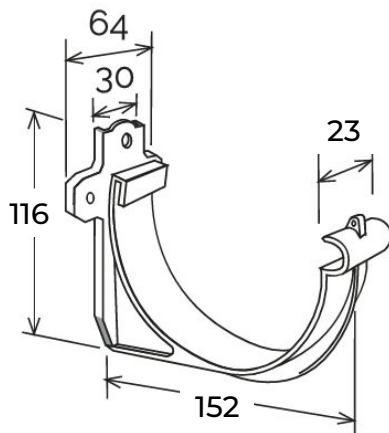
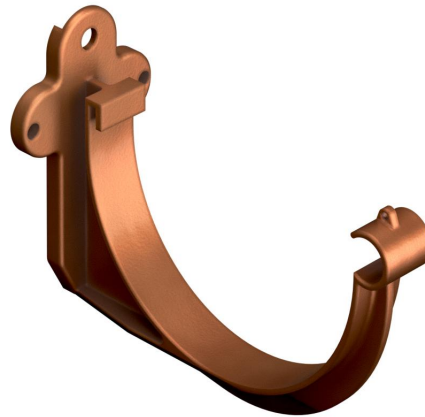
Item	Colour	length mm	width mm	height mm	Weight g	Matched gutter profile
CIP125AC	steel effect	152	64	114	44	GRN125AC

Material: Technopolymers

Features: The bracket can be fixed directly to the wall with screws through the two lateral holes (\varnothing 5,5 mm) or on the zinc plated roof rafter (item ST1000) inserted in the specific socket on the rear of the bracket, fixing it with screw+nut through the central hole (\varnothing 7,5 mm). The bracket complies with the required load resistance as per standard EN 1462.



Bracket for gutter profile \varnothing 125 **CUPRAELITE**



Section GRN125

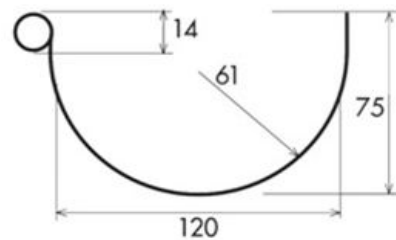
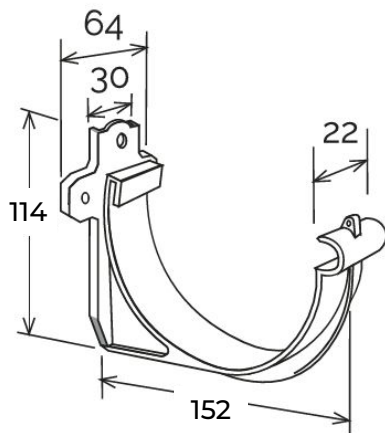
Item	Colour	length mm	width mm	height mm	Weight g	Matched gutter profile
CIP125R	copper effect	152	64	116	44	GRN125R

Material: Technopolymers

Features: The bracket can be fixed directly to the wall with screws through the two lateral holes (\varnothing 5,5 mm) or on the zinc plated roof rafter (item ST1000) inserted in the specific socket on the rear of the bracket, fixing it with screw+nut through the central hole (\varnothing 7,5 mm). The bracket complies with the required load resistance as per standard EN 1462.



Bracket for gutter profile \varnothing 125



Section GRN125

Item	Colour	length mm	width mm	height mm	Weight g	Matched gutter profile
CIP125RA	antique copper effect	152	64	116	44	GRN125RA

Material: Technopolymers

Features: The bracket can be fixed directly to the wall with screws through the two lateral holes (\varnothing 5,5 mm) or on the zinc plated roof rafter (item ST1000) inserted in the specific socket on the rear of the bracket, fixing it with screw+nut through the central hole (\varnothing 7,5 mm). The bracket complies with the required load resistance as per standard EN 1462.

