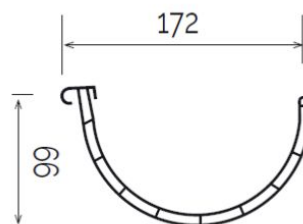
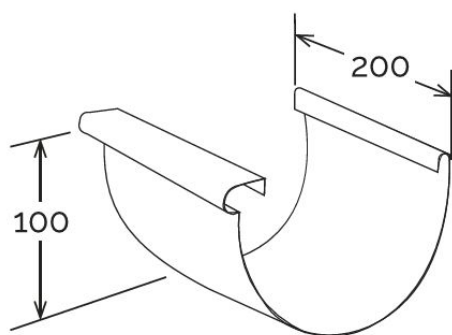
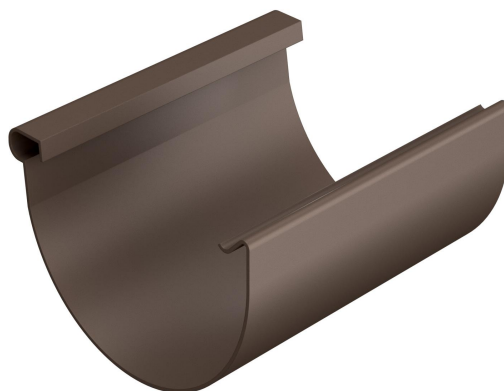


## Joint cover for double-walled gutter profile G86 **GROND PLAST**



Section GRG86

Item	Colour	width mm	height mm	Matched gutter profile
<b>CGG86</b>	brown	200	100	GRG8640

**Material:** PVC-U

**Features:** The joint cover must be applied to the gutter over the GAG86 assembled joint. Clean the surfaces, then use PVC sealant glue (COFxxx).

