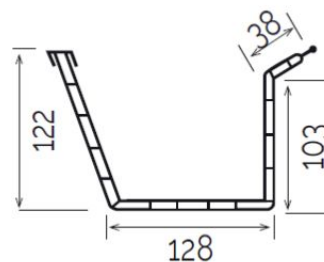
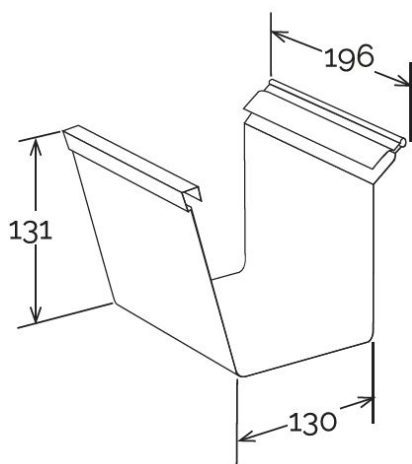


Joint cover for double-walled gutter profile G2 **GROND PLAST**



Section GRG2

Item	Colour	length mm	width mm	height mm	Matched gutter profile
CGG2	brown	193	196	131	GRG240

Material: PVC-U

Features: The joint cover must be applied to the gutter over the GAG2 assembled joint. Clean the surfaces, then use PVC sealant glue (COFxxx).

