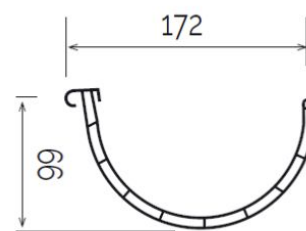
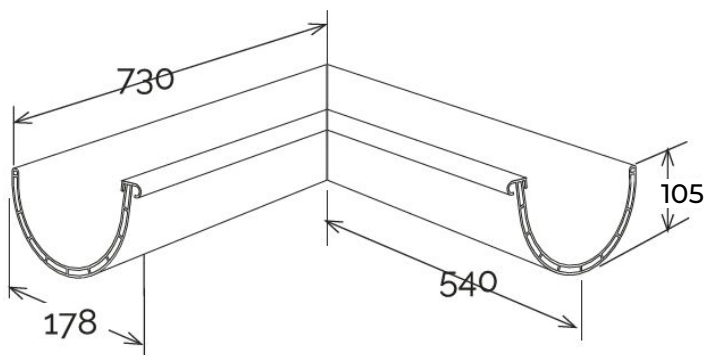


Interior angle for double-walled gutter profile G86 **GROND PLAST**



Section GRG86

Item	Colour	length mm	width mm	height mm	Matched gutter profile
AIG86	brown	730	730	105	GRG8640

Material: PVC-U

Features: The angle must be glued to gutter profiles using the appropriate joints. Clean the surfaces, then use PVC sealant glue (COFxxx).

