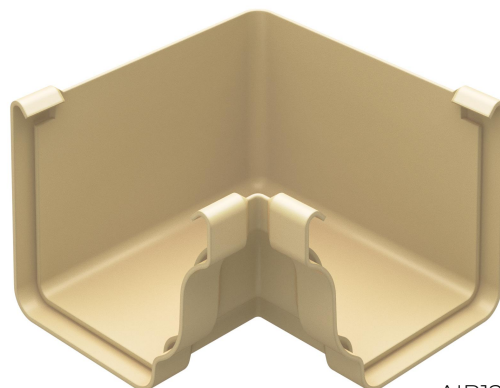
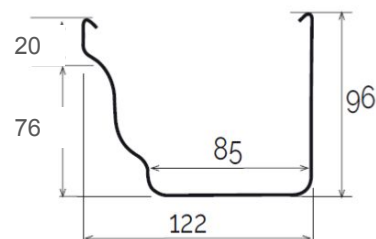
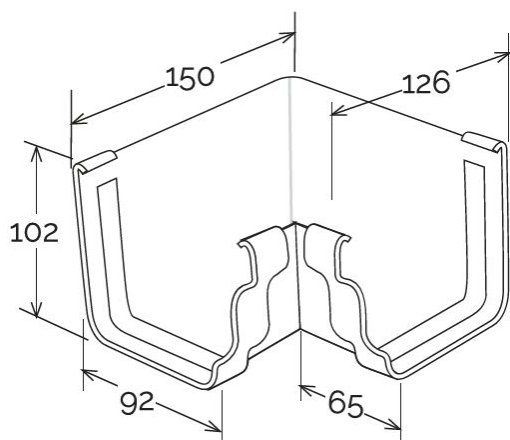


Interior angle for gutter profile Best

BEST



AIB120S



Section GRB120

Item	Colour	length mm	width mm	height mm	Weight g	Matched gutter profile
AIB120AN	anthracite	150	150	102	204	GRB120AN
AIB120B	white	150	150	102	204	GRB120B
AIB120M	brown	150	150	102	204	GRB120MC
AIB120O	red brown	150	150	102	204	GRB0120C
AIB120S	sand	150	150	102	204	GRB120S

Material: PVC-U

Features: The angle must be glued to gutter profiles by inserting it into the specific sockets. Clean the surfaces, then use PVC sealant glue (COFxxx).

