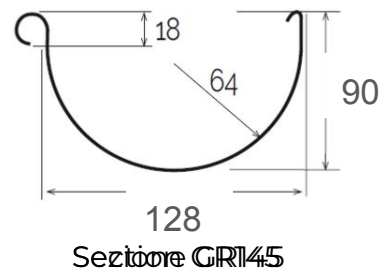
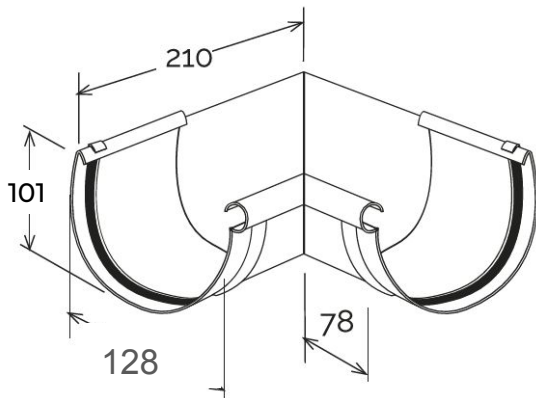


Interior angle BI-SYSTEM for gutter profile ø 145

BI-SYSTEM



AI145M



Item	Colour	length mm	width mm	height mm	Weight g	Matched gutter profile
AI145GN	grey	210	210	101	262	GRI45GN
AI145M	brown	210	210	101	262	GRI45MC

Material: PVC-U

Features:

The BI-SYSTEM joint can be used whether glued or fitted with gasket.

GLUING: The joint must be glued to the gutter by inserting it into the specific sockets, after removing the pre-assembled adhesive gasket (GU24). Clean the surfaces, then use PVC sealant glue (COFxxx).

FITTING: Insert the gutter into the specific sockets with adhesive gasket (GU24).

