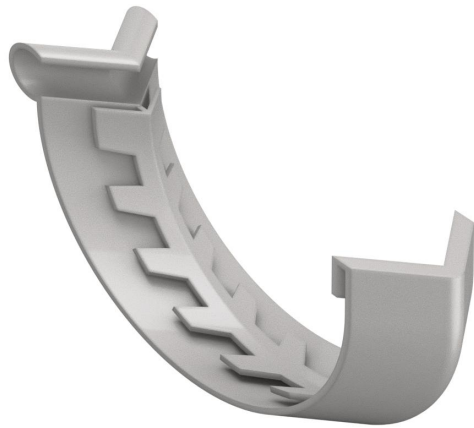
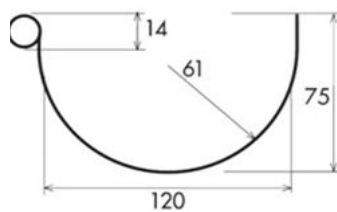


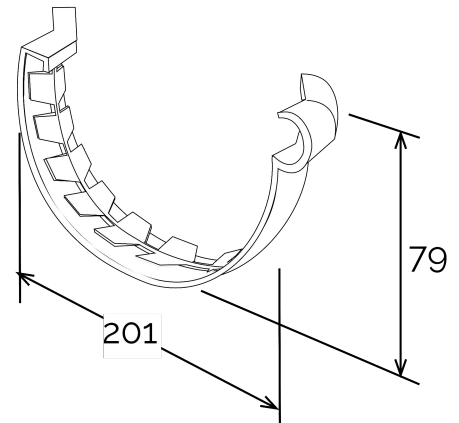
## Exterior angle for gutter profile $\varnothing$ 125



AEN125AN



Section GRN125



Item	Colour	length mm	width mm	height mm	Weight g	Matched gutter profile
AEN125B	white	201	50	79	64	GRN125B - GRN125BC
AEN125M	brown	201	50	79	64	GRN125M - GRN125MC
AEN125N	grey	201	50	79	64	GRN125N
AEN125S	sand	201	50	79	64	GRN125S

**Material:** PVC-U

**Features:** The angle must be glued to gutter profiles by inserting it into the specific sockets. Clean the surfaces, then use PVC sealant glue (COFxxx).

