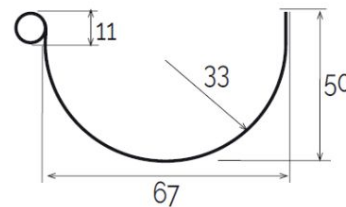
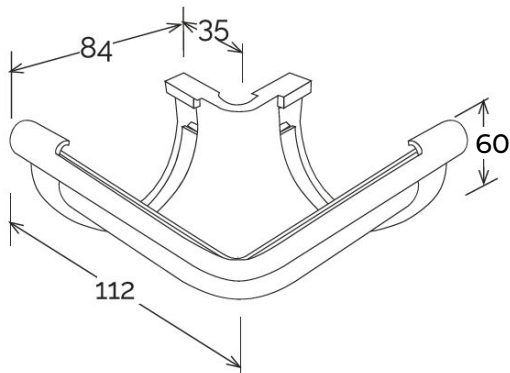


## Exterior angle for gutter profile 116



AEN116M



Section GRN116

Item	Colour	length mm	width mm	height mm	Weight g	Matched gutter profile	Certification IIP UNI EN 607:2023
AEN116B	white	112	112	61	82	GRN116B	✓
AEN116M	brown	112	112	61	82	GRN116M	✓
AEN116N	grey	112	112	61	82	GRN116N	✓
AEN116S	sand	112	112	61	82	GRN116S	✓

**Material:** PVC-U

**Features:** The angle must be glued to gutter profile by inserting it into the specific sockets. Clean the surfaces, then use PVC sealant glue (COFxxx).

