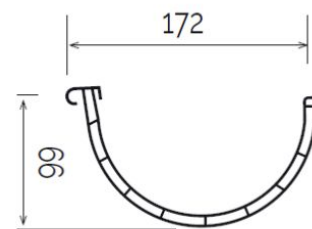
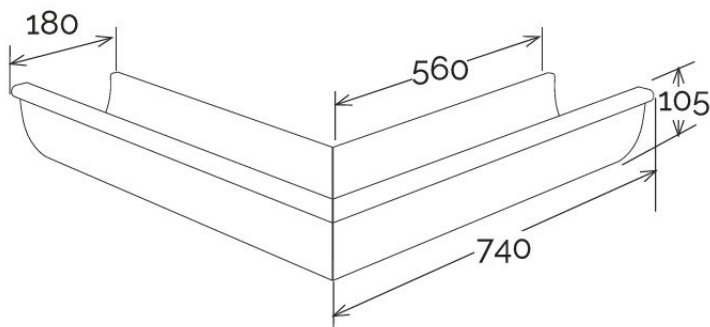


Exterior angle for double-walled gutter profile G86 **GROND PLAST**



Section G86

| Item | Colour | length mm | width mm | height mm | Matched gutter profile |
|--------------|--------|-----------|----------|-----------|------------------------|
| AEG86 | brown | 740 | 740 | 105 | GRG8640 |

Material: PVC-U

Features: The angle must be glued to gutter profiles using the appropriate joints. Clean the surfaces, then use PVC sealant glue (COFxxx).

