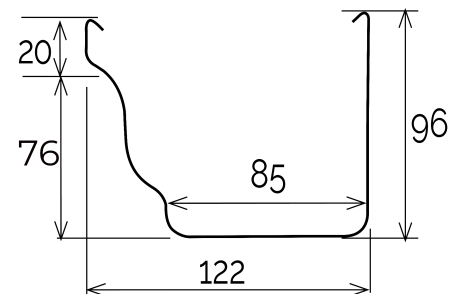
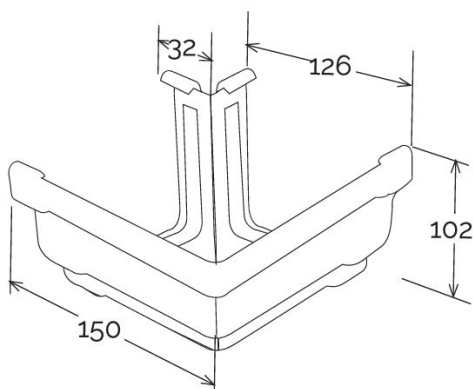
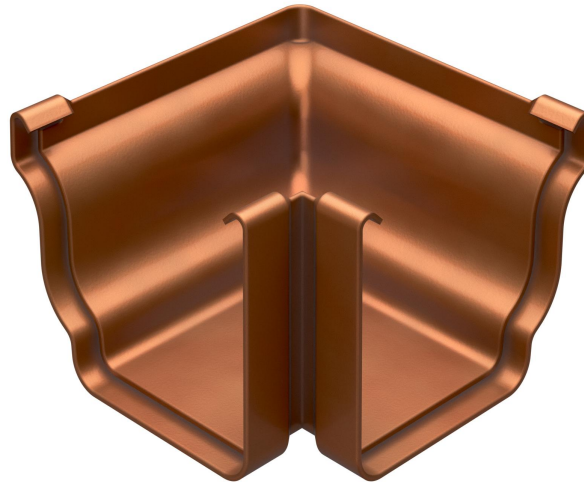


## Exterior angle for gutter profile Best **CUPRAELITE**

**BEST**  
**CUPRAELITE**



Section GRB120

Item	Colour	length mm	width mm	height mm	Weight g	Matched gutter profile
<b>AEB120R</b>	copper effect	150	150	102	144	GRB120R

**Material:** Technopolymers

**Features:** The angle must be glued to gutter profiles by inserting it into the specific sockets. Clean the surfaces, then use PVC sealant glue (COFxxx).

