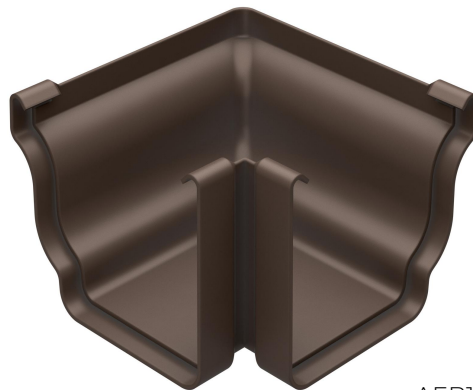
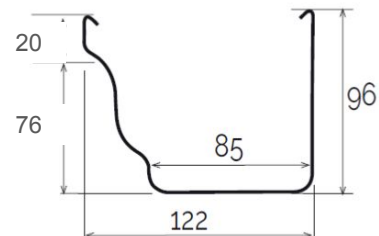
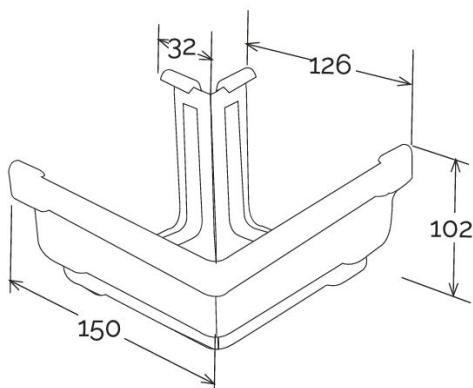


Exterior angle for gutter profile Best

BEST



AEB120M



Section GRB120

Item	Colour	length mm	width mm	height mm	Weight g	Matched gutter profile
AEB120AN	anthracite	150	150	102	174	GRB120AN
AEB120B	white	150	150	102	174	GRB120B
AEB120M	brown	150	150	102	174	GRB120MC
AEB120O	red brown	150	150	102	174	GRB0120C
AEB120S	sand	150	150	102	174	GRB120S

Material: PVC-U

Features: The angle must be glued to gutter profiles by inserting it into the specific sockets. Clean the surfaces, then use PVC sealant glue (COFxxx).

