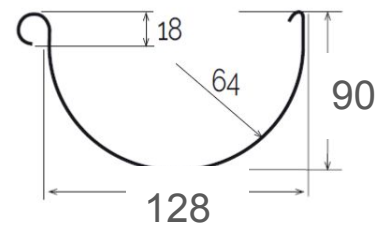
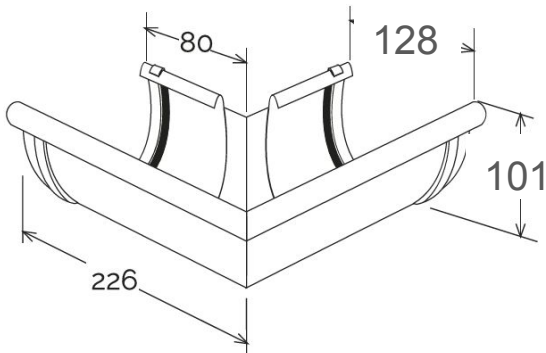


Exterior angle BI-SYSTEM for gutter profile \varnothing 145

BI-SYSTEM



AE145GN



Section GR145

| Item | Colour | length mm | width mm | height mm | Weight g | Matched gutter profile |
|---------|--------|-----------|----------|-----------|----------|------------------------|
| AE145GN | grey | 226 | 226 | 101 | 270 | GR145GN |
| AE145M | brown | 226 | 226 | 101 | 270 | GR145MC |

Material: PVC-U

Features:

The BI-SYSTEM joint can be used whether glued or fitted with gasket.

GLUING: The joint must be glued to the gutter by inserting it into the specific sockets, after removing the pre-assembled adhesive gasket (GU24). Clean the surfaces, then use PVC sealant glue (COFxxx).

FITTING: Insert the gutter into the specific sockets with adhesive gasket (GU24).

