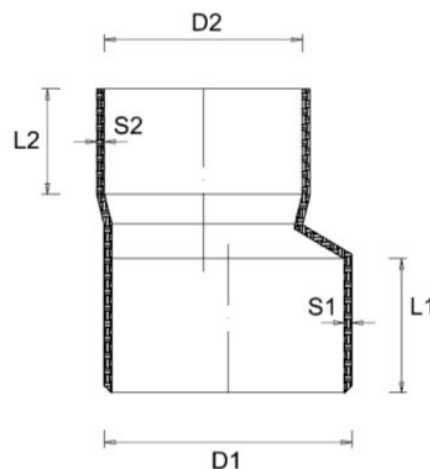
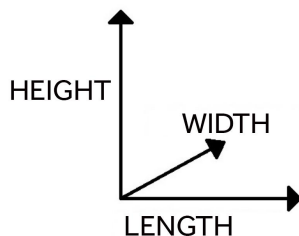


## Basic range building fittings - Eccentric conical coupling -



AES50100



REFERENCE REGULATIONS: UNI EN 1329-1:2021

Item	D1 (M) mm	D2 (F) mm	L1 (M) mm	L2 (F) mm	S1 (M) mm	S2 (F) mm	LENGTH mm	WIDTH mm	HEIGHT mm	WEIGHT g
<b>AES03240</b>	40	32,4	29	23	3,1	2,8	44	40	62	28
<b>AES03250</b>	50	32,4	32	24	3,2	2,8	53	50	76	42
<b>AES04050</b>	50	40,4	30	27	3,2	2,7	52	50	75	44
<b>AES04063</b>	63	40,4	38	28	3,2	2,7	66	63	91	62
<b>AES04080</b>	80	40,4	47	28	3,1	2,7	83	80	110	92
<b>AES040100</b>	100	40,4	56	28	3,1	2,7	103	100	130	140
<b>AES05063</b>	63	50,4	40	27	3,0	2,6	65	63	87	62
<b>AES05080</b>	80	50,4	46	26	3,0	2,6	83	80	103	90
<b>AES50100</b>	100	50,4	55	27	3,2	2,8	104	100	124	140
<b>AES50125</b>	125	50,4	59	26	3,0	2,6	128	125	143	192

**Material:** PVC-U

**Colour:** Orange RAL 2008

**Features:** The range of solvent cement fittings produced by First Plast, is made of U-PVC in compliance with UNI EN1329-1:2021 standards, relating to high and low temperature drainage for building indoor applications.

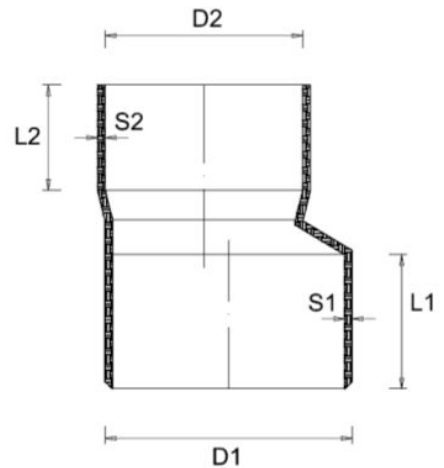
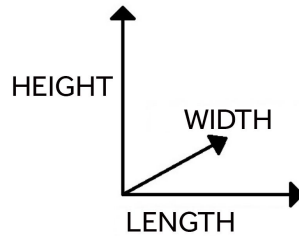


# DATA SHEET

## Basic range building fittings - eccentric conical coupling -



AES80100



REFERENCE REGULATIONS: UNI EN 1329-1:2021

Item	D1 (M) mm	D2 (F) mm	L1 (M) mm	L2 (F) mm	S1 (M) mm	S2 (F) mm	LENGTH mm	WIDTH mm	HEIGHT mm	WEIGHT g
<b>AES06380</b>	80	63,4	46	33	3,1	2,7	83	80	103	96
<b>AES06382</b>	82	63,4	47	37	3,0	2,2	85	82	109	98
<b>AES63100</b>	100	63,4	56	33	3,1	2,7	104	100	124	138
<b>AES63125</b>	125	63,4	59	34	3,1	2,7	128	125	143	202
<b>AES80100</b>	100	80,5	55	43	3,1	2,7	103	100	123	144
<b>AES80125</b>	125	80,5	60	42	3,1	2,6	128	125	142	204
<b>AES82100</b>	100	82,5	51	44	2,9	2,9	103	100	119	132
<b>AES100125</b>	125	100,5	60	51	3,2	2,9	128	125	141	216
<b>AES100140</b>	140	100,5	57	47	3,2	2,4	143	140	142	232
<b>AES100160</b>	160	100,5	64	51	3,1	2,8	164	160	166	322

**Material:**

PVC-U

**Colour:**

Orange RAL 2008

**Features:**

The range of solvent cement fittings produced by First Plast, is made of U-PVC in compliance with UNI EN1329-1:2021 standards, relating to high and low temperature drainage for building indoor applications.



FIRST PLAST S.r.l.  
Località Isola Grande  
17041 ALTARE (SV) - ITALIA  
Tel. +39 019 58511  
Email: export.first@firstcor.com

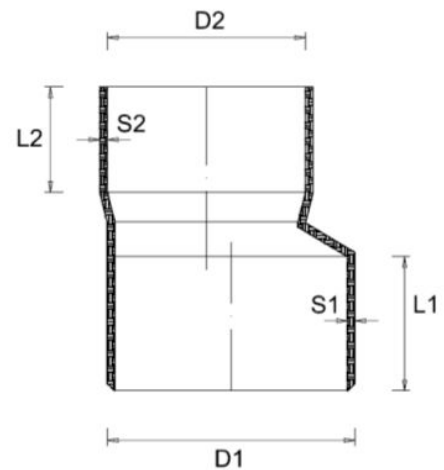
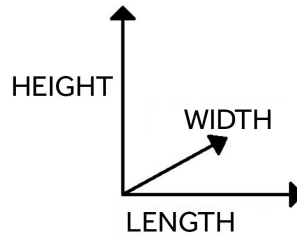


**FIRST**  
CORPORATION

## Completion range building fittings - - eccentric conical coupling -



AES125160



REFERENCE REGULATIONS: UNI EN 1329-1:2021

Item	D1 (M) mm	D2 (F) mm	L1 (M) mm	L2 (F) mm	S1 (M) mm	S2 (F) mm	LENGTH mm	WIDTH mm	HEIGHT mm	WEIGHT g
<b>AES100200</b>	200,0	100,5	80	52	3,9	2,9	203	200	208	572
<b>AES110125</b>	125,0	110,6	56	48	3,3	2,6	129	125	131	204
<b>AES110160</b>	160,0	110,6	64	49	3,3	2,6	163	160	160	308
<b>AES125140</b>	140,0	125,7	58	51	3,2	2,4	143	140	133	226
<b>AES125160</b>	160,0	125,7	60	54	3,1	2,8	164	160	152	300
<b>AES125200</b>	200,0	125,7	79	54	3,9	2,9	203	200	195	534
<b>AES140160</b>	160,0	140,8	61	54	3,2	2,5	163	160	144	280
<b>AES140200</b>	200,0	140,8	63	54	3,8	2,5	203	200	171	466
<b>AES160200</b>	200,0	160,8	79	54	3,9	2,9	203	200	172	492
<b>AES200250</b>	250,0	200,9	130	98	5,9	4,3	254	250	278	1.534
<b>AES315400*</b>	400,0	316,0	151	142	9,7	6,7	413	413	295	4.526

**Material:** PVC-U

**Colour:** Orange RAL 2008, \*AES315400 Red RAL 8023

**Features:** The range of solvent cement fittings produced by First Plast, is made of U-PVC in compliance with UNI EN1329-1:2021 standards, relating to high and low temperature drainage for building indoor applications.

