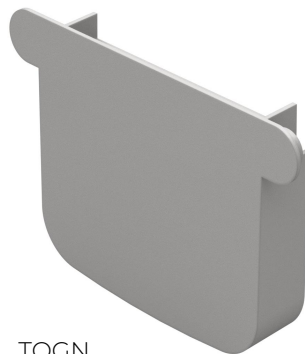
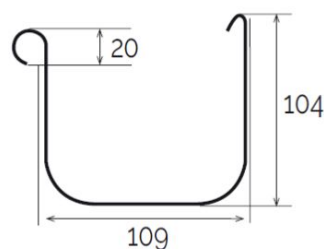
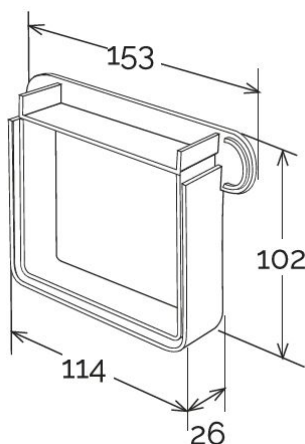


Stopend for gutter profile 100x110



TQGN



Section GRQ

Item	Colour	length mm	width mm	height mm	Weight g	Matched running outlet	IIP compliance UNI EN 607:2023
TQGN	grey	153	26	102	72	GRQGN	✓
TQM	brown	153	26	102	72	GRQM	✓

Material: PVC-U

Features: The stopend must be glued to the gutter by inserting it into the specific socket. Clean the surfaces, then use PVC sealant glue (COFxxx).

