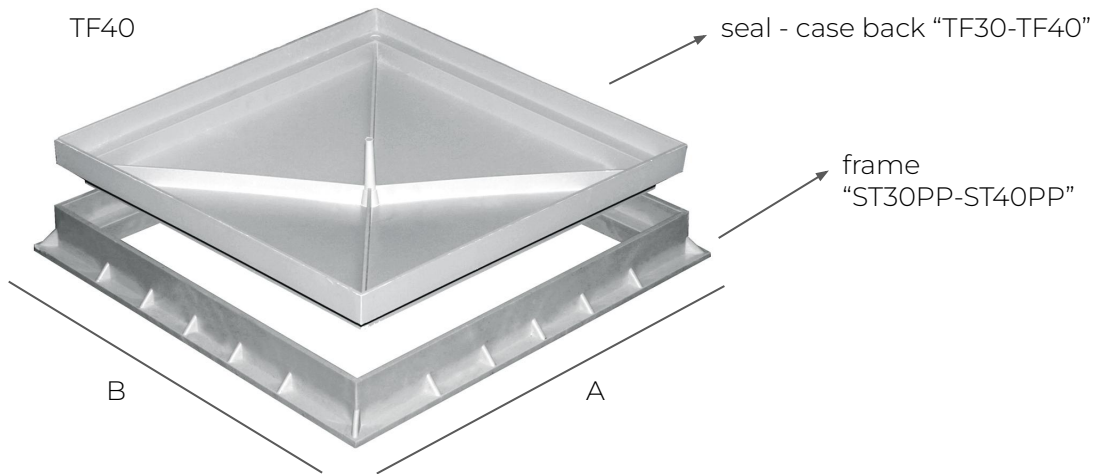


## Technical seals + frames



Item	A mm	B mm
<b>TF30</b>	300	300
<b>TF40</b>	400	400

**Material:** Reinforced polypropylene with mineral filler

**Colour:** Light grey

**Features:** The bottom seal with frame can be filled with the same paving or soil elements near the inspection pit

(!) N.B.: The article does not have much mechanical resistance due to its flared shape. To obtain adequate resistance it is necessary to reinforce the filling with metal reinforcements to be placed inside the seal resting on the internal edge of the same up to the containment edges.

