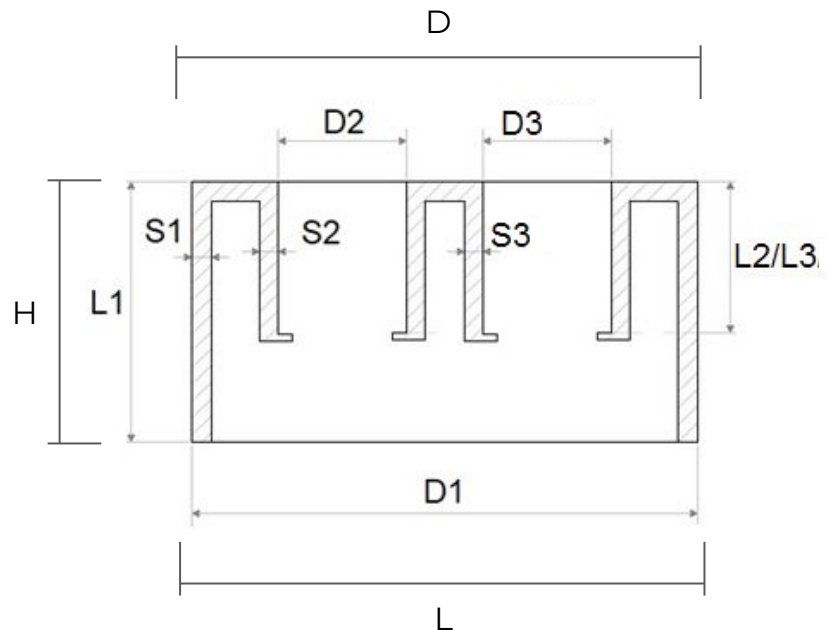


Double socket reducer for plumbing and drainage system **BI-BI KOLL**



Item	D1 (M) mm	D2 (F) mm	D3 (F) mm	L1 (M) mm	L2 (F) mm	L3 (F) mm	S1 (M) mm	S2 (F) mm	S3 (F) mm	L mm	D mm	H mm	Weight g
TAR13232	100,0	32,4	32,4	55	23	23	2,7	3,0	3,0	102	102	58	106
TAR14032	100,0	32,4	40,4	54	23	27	2,8	2,8	2,8	102	102	58	100
TAR14040	100,0	40,4	40,4	56	26	26	2,8	2,8	2,8	102	102	58	102
TAR15032	100,0	32,4	50,4	55	22	31	2,4	2,6	2,6	102	102	58	94

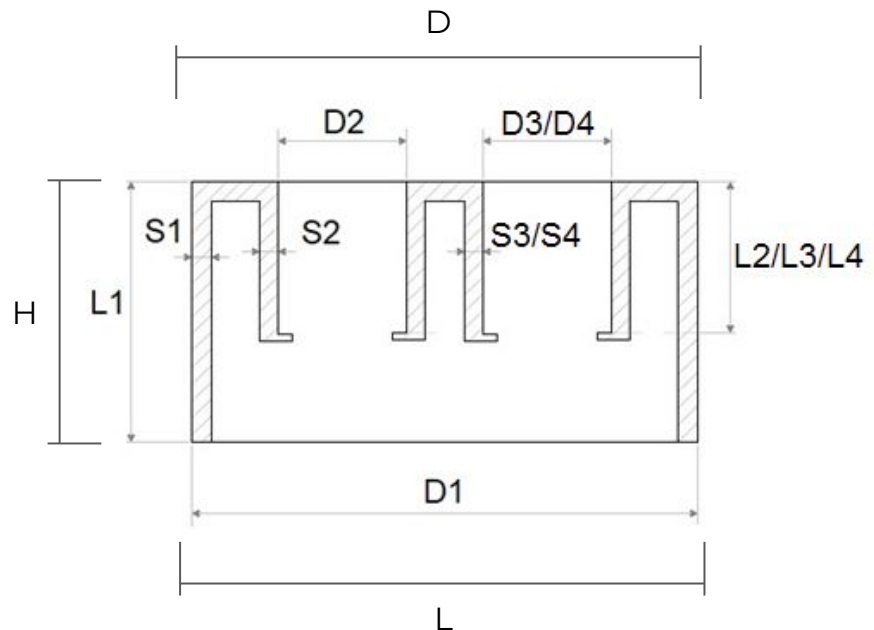
Material: PVC-U

Colour: Dark Grey RAL 7037

Features: The products of the plumbing and drainage fittings line are made in compliance with the requirements prescribed by the UNI EN 1329-1:2021 standard relating to low and high temperature drainage systems within the structure of buildings.



Double socket reducer for plumbing and drainage system **BI-BI KOLL**



Item	D1 (M) mm	D2 (F) mm	D3 (F) mm	L1 (M) mm	L2 (F) mm	L3 (F) mm	S1 (M) mm	S2 (F) mm	S3 (F) mm	L mm	D mm	H mm	Weight g
TAR15040	100,0	40,4	50,4	55	26	31	2,5	2,5	2,5	102	102	58	94
TAR11432	110,0	32,4	40,4	59	22	27	2,5	2,5	2,5	112	112	62	112
TAR11440	110,0	40,4	40,4	58	27	27	2,5	2,5	2,5	112	112	62	114
TAR11540	110,0	40,4	50,4	59	27	32	2,5	2,5	2,5	112	112	62	120

Material: PVC-U

Colour: Dark Grey RAL 7037

Features: The products of the plumbing and drainage fittings line are made in compliance with the requirements prescribed by the UNI EN 1329-1:2021 standard relating to low and high temperature drainage systems within the structure of buildings.

