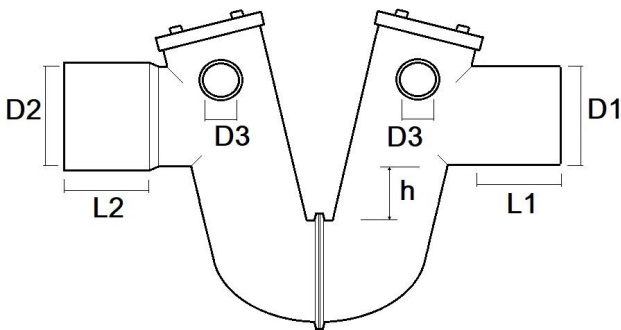


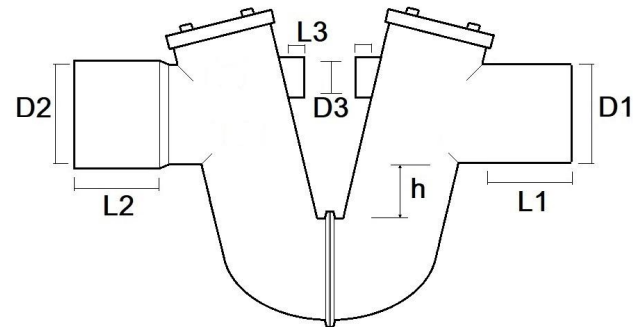
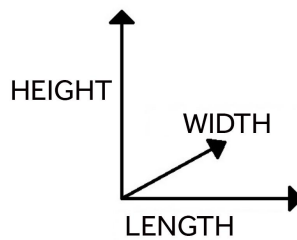
Monolithic siphon



SMS140



SMS100 - SMS125



SMS140 - SMS160 - SMS200

Item	D1 (M) mm	D2 (F) mm	D3 (F) mm	L1 (M) mm	L2 (F) mm	L3 (F) mm	h mm	Body thickness mm	LENGTH mm	WIDTH mm	HEIGHT mm	WEIGHT g
SMS100	100,0	100,5	40,4	63	48	28	21	2,3	430	132	283	1015
SMS125	125,0	125,7	40,4	68	53	29	26	2,4	515	162	355	1620
SMS140	140,0	140,8	50,4	72	56	35	50	3,6	647	158	415	2500
SMS160	160,0	160,8	63,4	100	68	26	50	4,0	690	175	460	3340
SMS200	200,0	200,9	80,5	110	68	26	50	4,0	856	217	550	4900

Material: PVC-U

Colour: Orange RAL 2008

Features: The siphon is made up of two heat-welded semi-elements to guarantee better pressure resistance.
Furthermore there are 2 threaded closing caps with rubber gasket.



FIRST PLAST S.r.l.
Località Isola Grande
17041 ALTARE (SV) - ITALIA
Tel. +39 019 58511
Email: export.first@firstcor.com



FIRST
CORPORATION