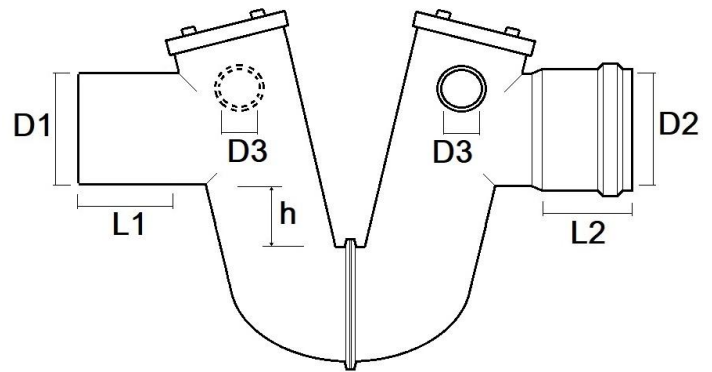


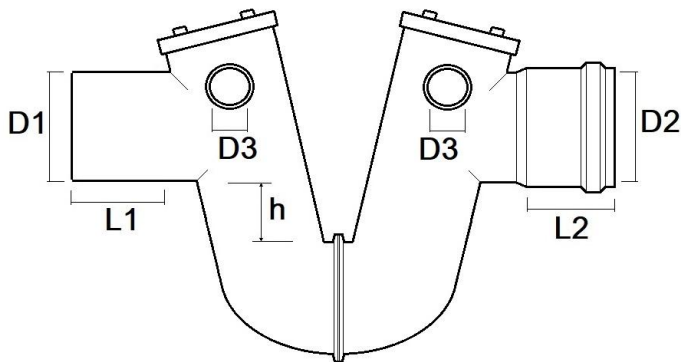
Monolithic siphon with O-RING



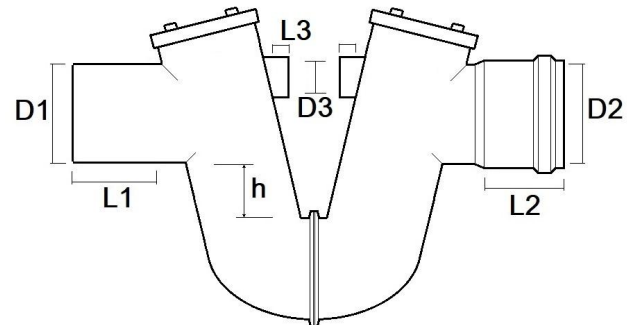
SMOA125



SMOA110



SMOA125



SMOA160 - SMOA200

Item	D1 (M)	D2 (F)	L1 (M)	L2 (F)	D3 (F)	L3(F)	H	Body thickness	LENGT H	WIDTH	HEIG HT	WEIG HT
	mm	mm	mm	mm	mm	mm	mm	mm	mm	mm	mm	g
SMOA110	110,0	110,6	69	52	40,4	25	45	3,2	508	166	325	1500
SMOA125	125,0	125,7	68	53	40,4	29	26	2,4	507	162	355	1642
SMOA160	160,0	160,8	100	68	63,4	26	50	4,0	682	175	460	3370
SMOA200	200,0	200,9	110	88	80,5	26	50	4,0	848	217	550	4590

Material: PVC-U

Colour: Red RAL 8023

Features: The siphon is made up of two half-elements welded together and completed with 2 threaded closing caps with rubber gasket.
Rubber O-Ring gasket inside the bell.

