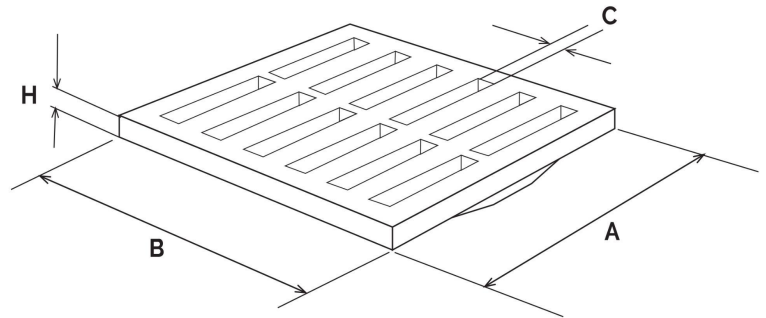


## Lightweight grates



SGNP30G

Item	A mm	B mm	C mm	H mm	Total height relief mm	Weight g	Water drainage cm <sup>2</sup>	Breaking load kN
<b>SGNP20G</b>	188	188	13	20	20	285	103	9 kN
<b>SGNP25G</b>	234	234	13	20	20	400	148	10 kN
<b>SGNP30G</b>	284	284	13	22	30	820	265	18 kN
<b>SGNP40G</b>	383	383	13	25	25	1620	444	21 kN
<b>SGP45</b>	434	434	13	25	56	1850	680	14 kN
<b>SGP55</b>	534	534	13	35	60	3700	830	28 kN

**Material:** PVC-U

**Colour:** Light grey

**Features:** The grates are made of anti-shock PVC which gives to the product elasticity and resistance to impact, frost, chemical and atmospheric agents.

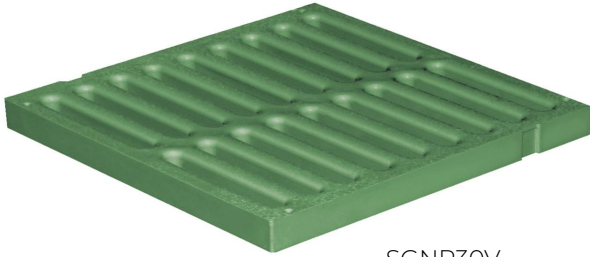
The slots of the SGNP20, SGNP25 and SGNP30 grills have rounded ends and are arranged in 2 rows, while those of the SGNP40 are arranged in 4 rows.

The slots of the SGP45 have a rectangular shape and are arranged in 4 rows, while those of the SGP55 are arranged in 5 rows.

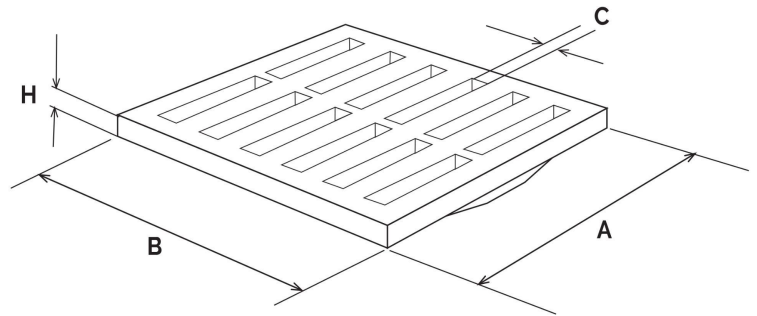
- Suitable for walkways
- Walking surface has a non-slip relief



## Lightweight grates



SGNP30V



Item	A mm	B mm	C mm	H mm	Total height relief mm	Weight g	Water drainage cm <sup>2</sup>	Breaking load kN
<b>SGNP20V</b>	188	188	13	20	20	285	103	9 kN
<b>SGNP25V</b>	234	234	13	20	20	400	148	10 kN
<b>SGNP30V</b>	284	284	13	22	30	820	265	18 kN
<b>SGNP40V</b>	383	383	13	25	25	1620	444	21 kN
<b>SGP55V</b>	534	534	13	35	60	3700	830	28 kN

**Material:** PVC-U

**Colour:** Green

**Features:** The grates are made of anti-shock PVC which gives to the product elasticity and resistance to impact, frost and atmospheric agents.

The slots present in the SGNP20, SGNP25 and SGNP30 grills have rounded ends and are arranged in 2 rows, while those of the SGNP40 are arranged in 4 rows.

The slots present in the SGP55 grate are arranged in 5 rows.

- Suitable for walkways
- Walking surface has a non-slip relief

