

Technical covers

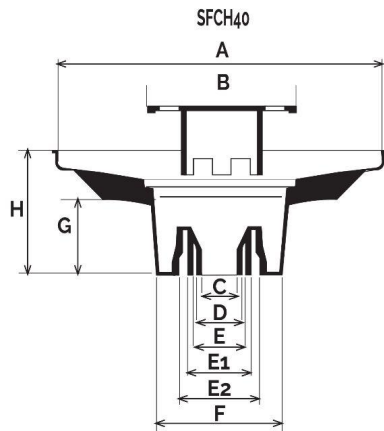


SFCH40G

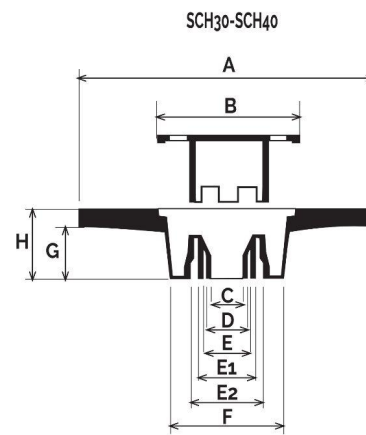


SCH30G

Siphoned trap-plate



Cover + siphoned trap



Item	A mm	B mm	C mm	D mm	E mm	E1 mm	E2 mm	F mm	G mm	H mm	Weight g
SCH30G	285	210	80F	90M	100F	110M	125F	185	62	88	1500
SCH40G	385	210	80F	90M	100F	110M	125F	185	64	88	1950
SFCH40G	385	210	80F	90M	100F	110M	125F	185	90	115	1890

Material: PVC-U

Colour: Light grey

Features: The technical covers are made of anti-shock PVC which gives to the product elasticity and resistance to impact, frost and atmospheric agents.

- Suitable for walkways

