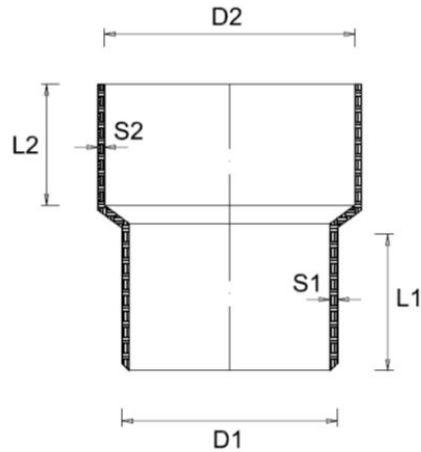


Completion range building fittings - concentric reduction -



RIS10050



REFERENCE REGULATIONS: UNI EN 1329-1:2021

Item	D1 (M) mm	D2 (F) mm	L1 (M) mm	L2 (F) mm	S1 (M) mm	S2 (F) mm	Weight g	Ø external mm	TOTAL H. mm
RIS06340	40,0	63,4	44	37	3,0	2,1	58	68	92
RIS06350	50,0	63,4	44	37	3,0	2,1	60	68	89
RIS08063	63,0	80,5	50	43	3,0	2,4	92	86	103
RIS10040	40,0	100,5	54	47	3,0	2,5	114	106	121
RIS10050	50,0	100,5	54	47	3,0	2,5	122	106	119
RIS10063	63,0	100,5	57	49	3,1	2,5	128	106	117
RIS10080	80,0	100,5	58	47	3,0	2,5	130	106	114
RIS110100	100,0	110,6	57	56	3,0	2,9	170	117	122
RIS125100	100,0	125,7	62	52	2,9	2,4	176	131	126
RIS140100	100,0	140,8	67	55	2,9	2,4	208	146	137
RIS140125	125,0	140,9	65	55	3,2	2,4	228	146	129
RIS160140	140,0	160,8	69	59	3,2	2,5	276	166	138
RIS200160	160,0	200,9	77	61	3,2	2,9	408	208	155

Material: PVC-U

Colour: Orange RAL 2008

Features: The range of solvent cement fittings produced by First Plast, is made of U-PVC in compliance with UNI EN1329-1:2021 standards, relating to high and low temperature drainage for building indoor applications.

