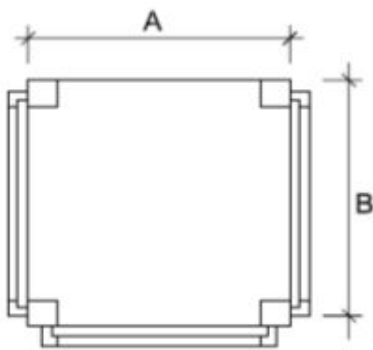
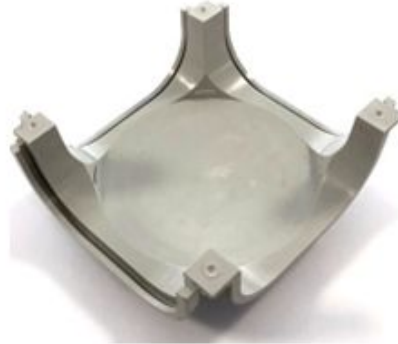
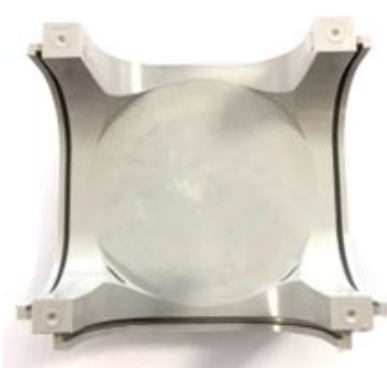
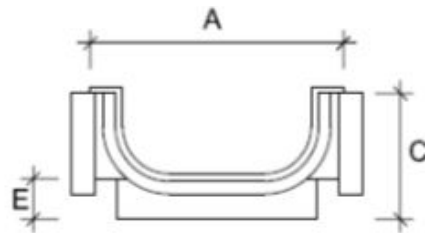


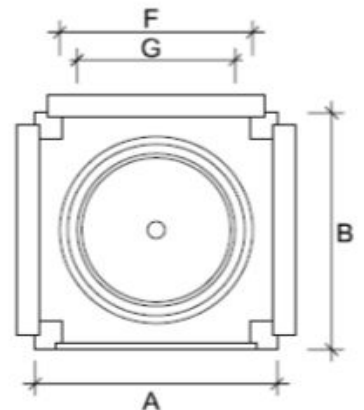
## Four way union for drainage channel 130 **PRATIKO**



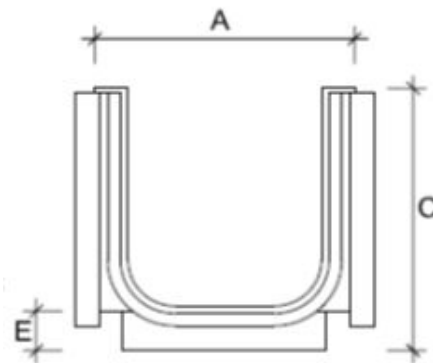
UPPER VIEW



SIDE VIEW RCB130



LOWER VIEW



SIDE VIEW RCA130



Item	A mm	B mm	C mm	E mm	F mm	G mm	Weight g
<b>RCB130</b>	138	136	72	13-19	110M - 100F	90M	188
<b>RCA130</b>	138	136	145	3-19	110M - 100F	90M	250

**Material:** PVC-U

**Colour:** Light grey

**Features:** 4-WAY joint (right corner, left corner, "T", cross) with lower outlet.  
The outlet is equipped with a pre-fracture line to allow opening with tools.

