

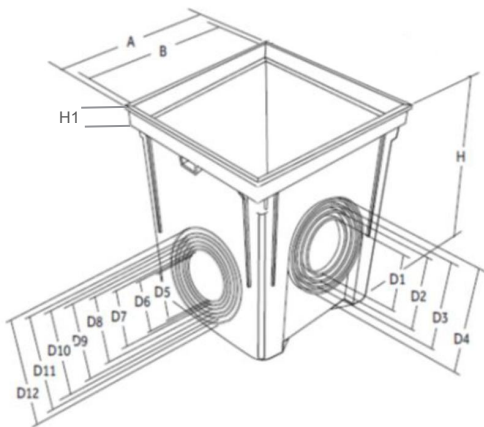
Drain well box



Patented models



PZD25V



Description	U/M	Item		
		PZD25V	PZD30V	PZD40V
Weight	g	940	1336	2784
A	mm	247	297	397
B	mm	236	285	386
H	mm	250	300	400
H1	mm	20	24	27
D1	mm	80	80	100
D2	mm	100	100	125
D3	mm	125	125	160
D4	mm	-	140	200
D5	mm	80	80	90
D6	mm	100	90	100
D7	mm	125	100	110
D8	mm	140	110	125
D9	mm	-	125	140
D10	mm	-	140	160
D11	mm	-	-	200
D12	mm	-	-	250

Material: Mineral filled reinforced polypropylene

Colour: Green

Features:

- The drain wells are used to collect rainwater from streets, squares, garages, cellars, underground rooms, or more generally wherever the collection of liquids is necessary.
- The predisposition for the connection of the pipes is on all 4 sides.
- On the internal walls there are slots for locking the covers equipped with the appropriate pins.
- The 2000 and Prato Series manholes can be stacked together, allowing for minimum space requirements during storage and transport.



FIRST PLAST S.r.l.
 Località Isola Grande
 17041 ALTARE (SV) - ITALIA
 Tel. +39 019 58511
 Email: export.first@firstcor.com

