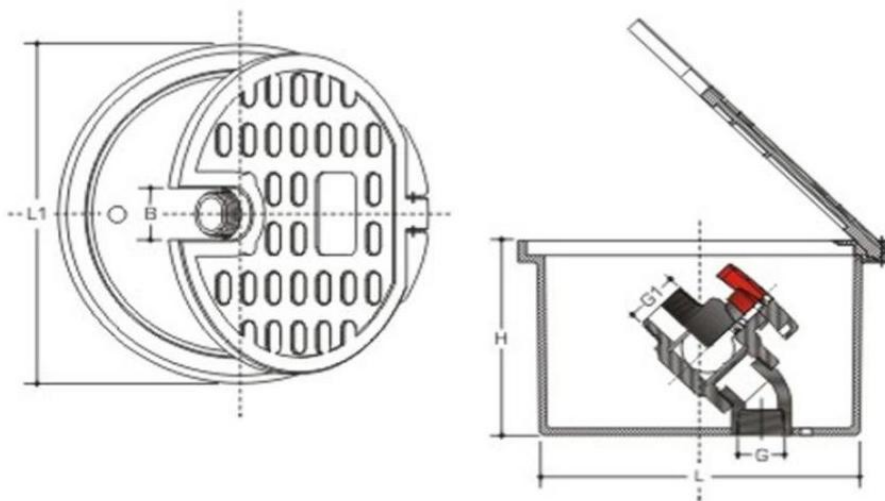


Irrigation valve chambers



Item	Colour	L mm	L1 mm	H mm	B mm	G	G1
PZA200	black/green	179	201	117	31	3/4"	3/4"

Description: Round irrigation box \varnothing 20 cm with anti-freeze valve

Material: Polypropylene

Features: The irrigation box has the following features:

- High resistance to UV rays
- High mechanical resistance PN16 valve with chromed brass ball
- Valve suitable for use even at low temperatures (up to -30°C)

