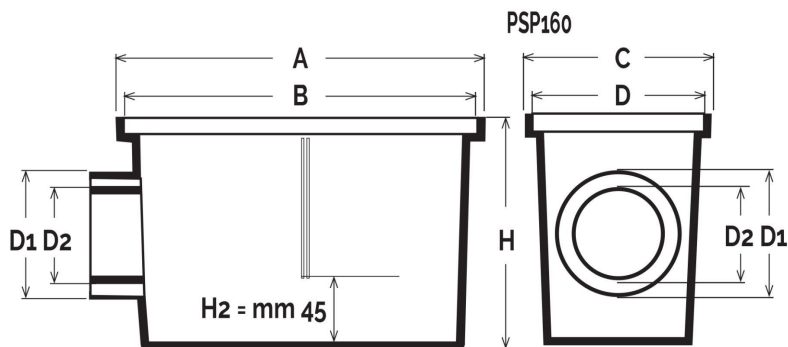


DATA SHEET

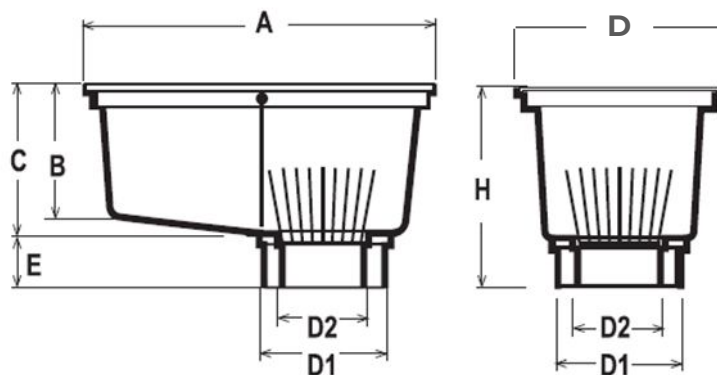
Pluvial box 165x320



PSP160



PSPV160



including veil and leaf grate for box

Item	A mm	B mm	C mm	D mm	D1 mm	D2 mm	H mm	E mm	ø drain pipes insertion
PSP160	320	311	166	156	ø 125	ø 100	210	45	80-100-125
PSPV160	320	97	110	165	ø 125	ø 100	159	50	80-100-125

Material: Polypropylene

Colour: Light grey

Features: The pluvial boxes have a wide range of accessories for modifying the structure:
Pipe coupling adapters (RTP160, RQP160), Grates and Covers (GSP160, CSP160)



FIRST PLAST S.r.l.
Località Isola Grande
17041 ALTARE (SV) - ITALIA
Tel. +39 019 58511
Email: export.first@firstcor.com



FIRST
CORPORATION