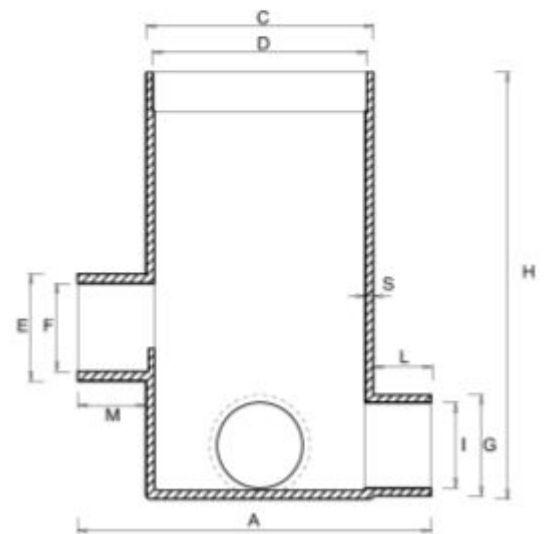
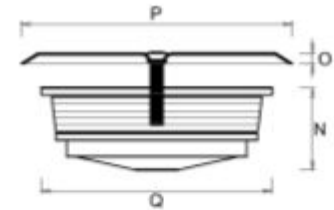
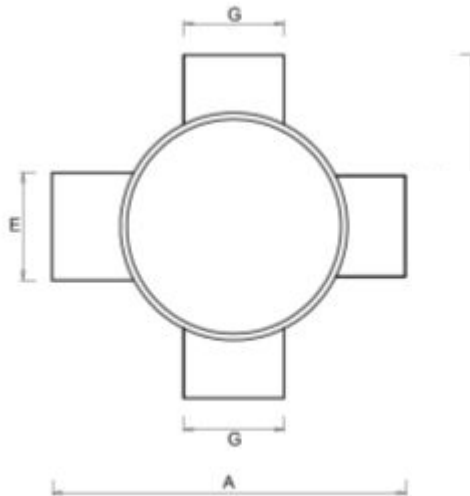
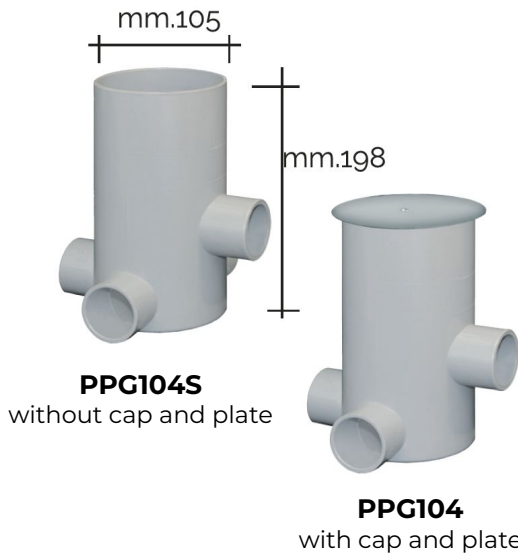


## 4-way deep floor gully trap for plumbing and drainage system **BI-BI KOLL**



Description		U/M	<i>GULLY TRAP</i>
	Weight	g	394
A	Length	mm	165
B	Width	mm	159
C	External diameter	mm	105
D	Internal diameter	mm	98
E	Outlet external diameter	mm	49,5
F	Outlet internal diameter	mm	40
G	Inlet external diameter	mm	47
I	Inlet internal diameter	mm	40
H	Total height	mm	199
L	Inlet length	mm	27
M	Outlet length	mm	32
S	Thickness	mm	3,5

Description		U/M	<i>CAP WITH PLATE</i>
	Weight	g	156
N	Cap height	mm	36
O	Plate height	mm	4
P	Plate diameter	mm	127
Q	Cap diameter	mm	108

**Material:** PVC-U (gully trap), **Galvanized steel** (plate)

**Colour:** Dark Grey RAL 7037, Metallic grey (plate)

