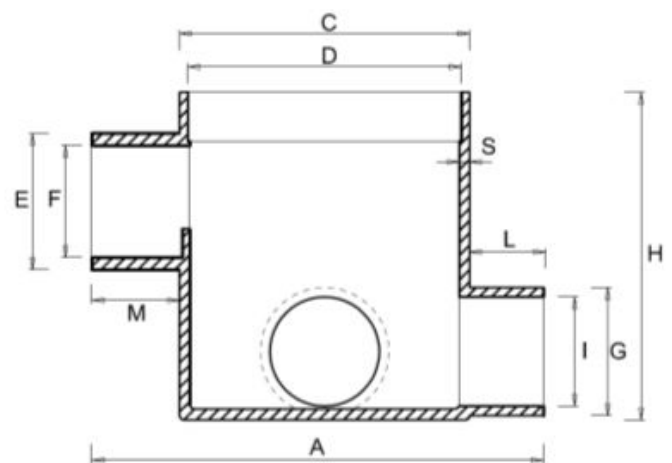
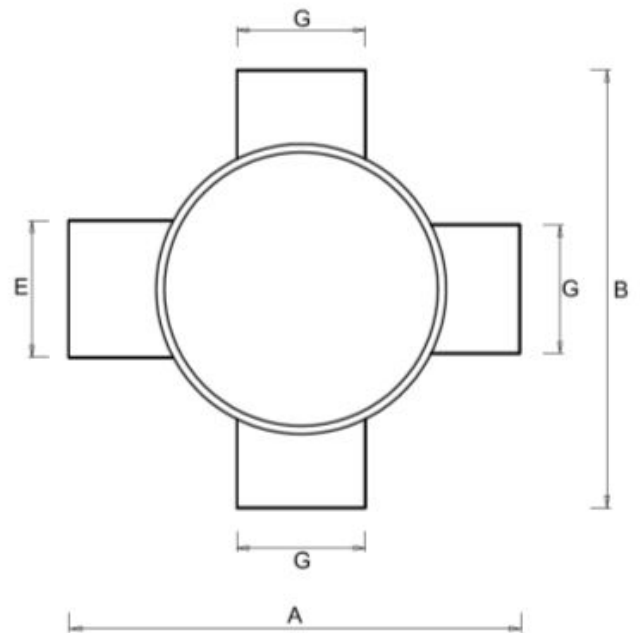
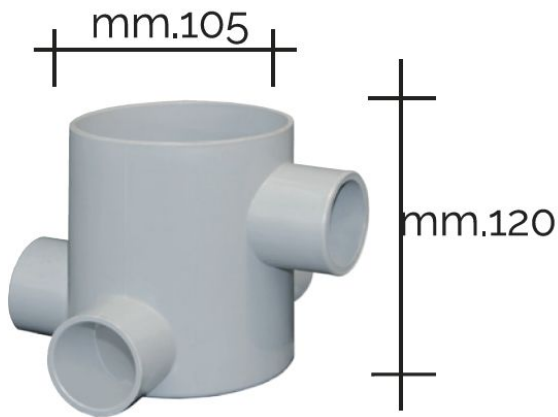


4-way shallow floor gully trap for plumbing and drainage system **BI-BI KOLL**



Description		U/M	Item
			PPG104B
	Weight	g	276
A	Length	mm	165
B	Width	mm	159
C	External diameter	mm	105
D	Internal diameter	mm	98
E	Outlet external diameter	mm	49,5
F	Outlet internal diameter	mm	40
G	Inlet external diameter	mm	47
I	Inlet internal diameter	mm	40
H	Total height	mm	120
L	Inlet length	mm	27
M	Outlet length	mm	32
S	Thickness	mm	3,5

Material: PVC-U (gully trap)

Colour: Dark Grey RAL 7037

