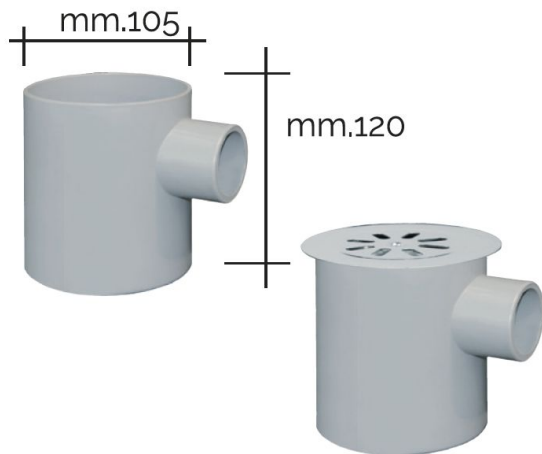
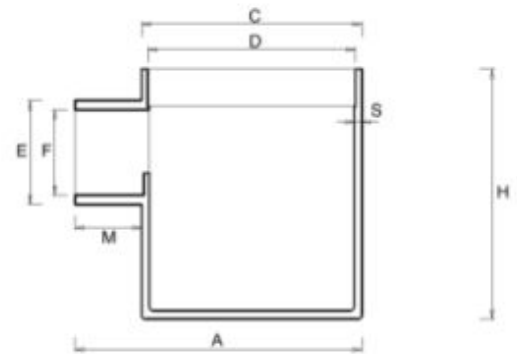
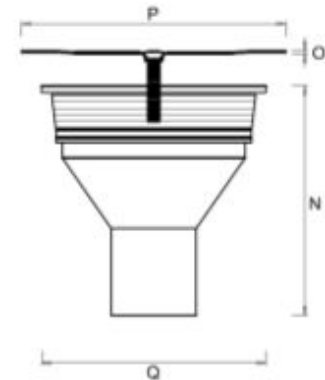
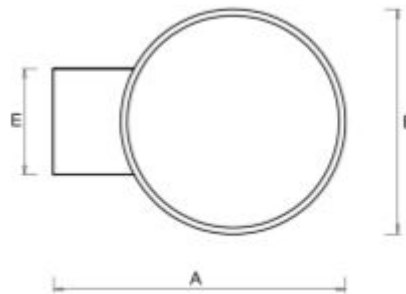


1-way shallow floor gully trap for plumbing and drainage system **BI-BI KOLL**



PPG101
with grate



Description		U/M	GULLY TRAP
	Weight	g	252
A	Length	mm	137
B	Width	mm	105
C	External diameter	mm	105
D	Internal diameter	mm	98
E	Outlet external diameter	mm	49,5
F	Outlet internal diameter	mm	40
H	Total height	mm	120
M	Outlet length	mm	32
S	Thickness	mm	3,5

Description		U/M	SIPHONED GRATE
	Weight	g	178
N	Siphon height	mm	36
O	Grate height	mm	4
P	Grate diameter	mm	127
Q	Siphon diameter	mm	108

Material: PVC-U (gully trap), **Galvanized steel**
Colour: Dark Grey RAL 7037, **Metallic gray** (gril)

