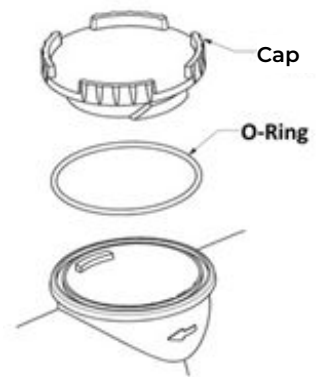
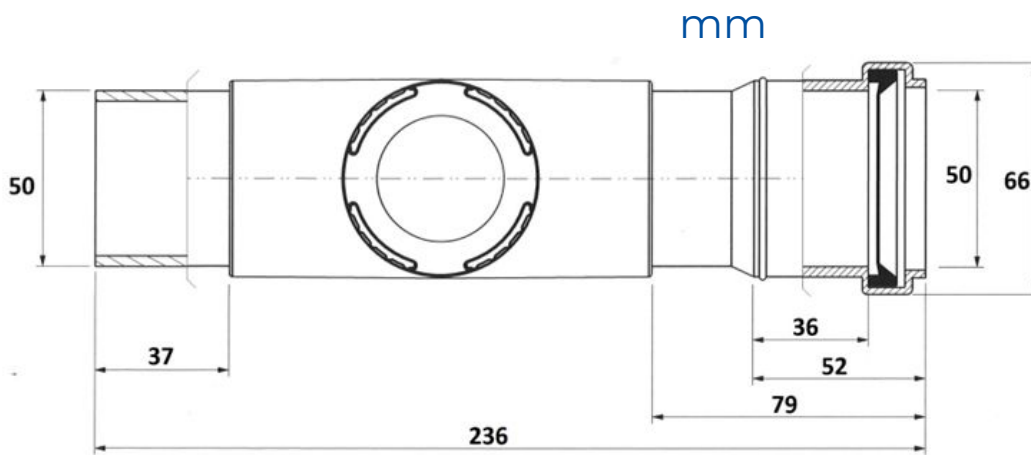


Non return valves with O-Ring



Item	Colour
NRO50G	grey

Material: PVC-U

Features: The type 0 non-return valve is equipped with an unscrewable cover for inspection and maintenance.
The article is composed of the Item NRC50G non-return valve, on which a piece of pipe with a diameter of 50 mm is glued on the outlet and an adapter on the inlet, having an elastomeric sealing ring (gasket) with a nominal internal diameter of 50 mm.

