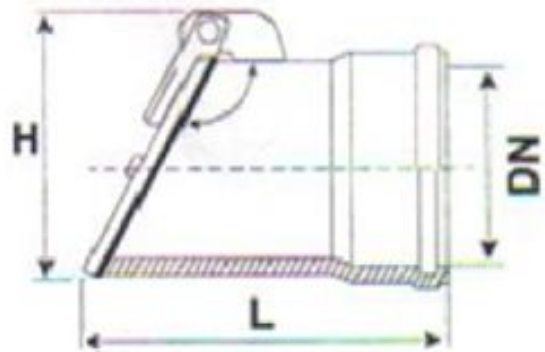


Female end-of-line valves



NRFLF110A



Item	Colour	L mm	H mm	DN mm
NRFLF110A	red RAL 8023	155	160	110
NRFLF125A	red RAL 8023	170	175	125
NRFLF160A	red RAL 8023	200	215	160
NRFLF200A	red RAL 8023	250	260	200

Material: PVC-U

Features: The end-of-line valve has a red body, while the plate and flange are dark grey. The "L" dimension is a maximum value, the article generally has a shorter length. The valve is complete with bell with O-Ring gasket. The closure of the cap occurs by gravity. The slope of the drain must allow the cap to remain closed in the absence of flow.

