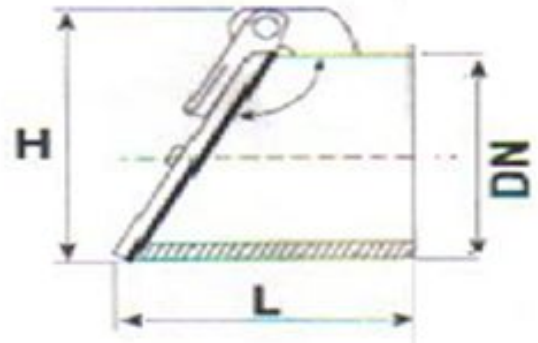


Male end-of-line valves



NRFLM110A



Item	Colour	L mm	H mm	DN mm
NRFLM110A	red RAL 8023	155	150	110
NRFLM125A	red RAL 8023	170	165	125
NRFLM160A	red RAL 8023	200	200	160
NRFLM200A	red RAL 8023	250	240	200

Material: PVC-U

Features: The end-of-line valve has a red body, while the plate and flange are dark grey. The "L" dimension is a maximum value, the article generally has a shorter length. The closure of the cap occurs by gravity. The slope of the drain must allow the cap to remain closed in the absence of flow.

