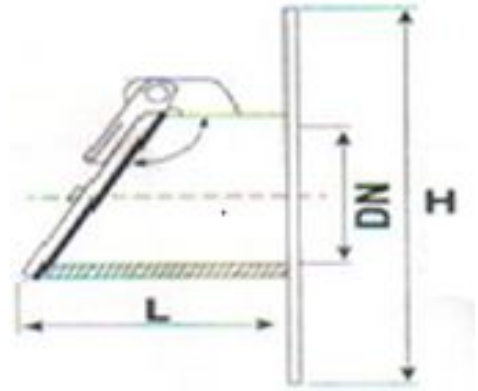


## Flanged end-of-line valves



NRFLF110A



Item	Colour	L mm	H mm	DN mm
<b>NRFLF110A</b>	red RAL 8023	155	160	103
<b>NRFLF125A</b>	red RAL 8023	170	160	117
<b>NRFLF160A</b>	red RAL 8023	200	230	152
<b>NRFLF200A</b>	red RAL 8023	250	240	192

**Material:** PVC-U

**Features:** The end-of-line valve has a red body, while the plate and flange are dark grey. The "L" dimension is a maximum value, the article generally has a shorter length. The closure of the cap occurs by gravity. The slope of the drain must allow the cap to remain closed in the absence of flow.

