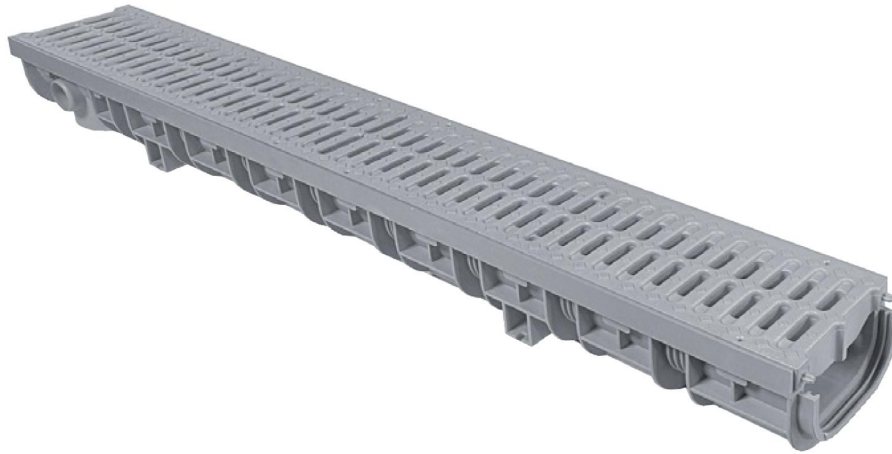


## Shallow gridded channel 130XL **PRATIKO XL**

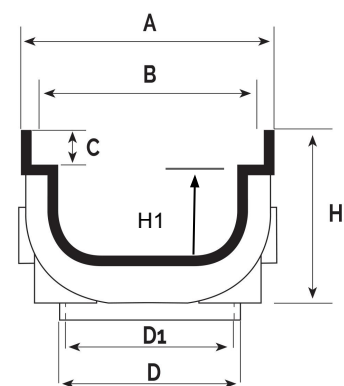
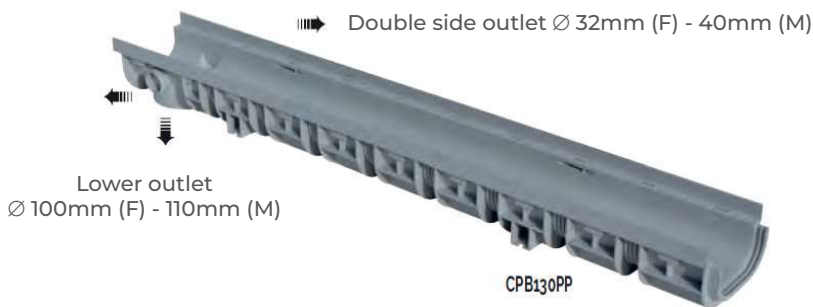


KB250XLG

<b>Item</b>
<b>KB250XLG</b>

The item **KB250XLG** is composed of the following products:

- n. 1 = CPB130PP
- n. 2 = SGRC130G "Load class C250"
- n. 2 = BGP130



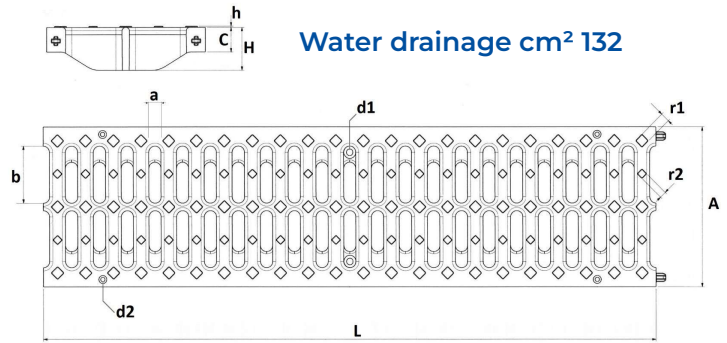
Item	A mm	B mm	C mm	D mm	D1 mm	H mm	H1 mm	Channel length mm	Weight g
<b>CPB130PP</b>	138	130	20	110M	100F	100	50	1000	1720

Load class **C250**

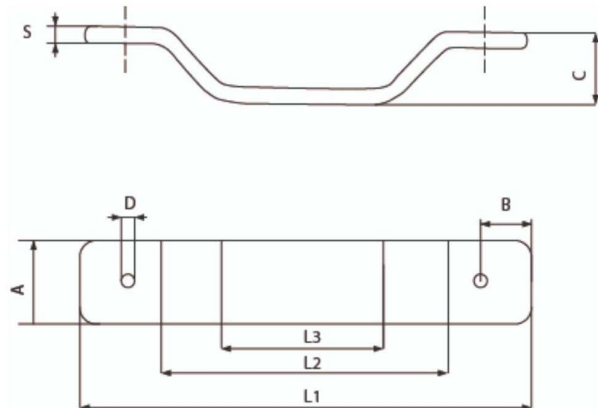
Water drainage cm<sup>2</sup> 132



SGRC130G



Item	A mm	L mm	C mm	H mm	a mm	b mm	r1 mm	r2 mm	h mm	d1 mm	d2 mm	Weight g
<b>SGRC130G</b>	129	500	20,5	36	10	32	7,5	5,5	1	5,5	3,6	1650



Item	A mm	B mm	C mm	D mm	L1 mm	L2 mm	L3 mm	S mm	Weight g
<b>BGP130</b>	20	9	17,5	4,2 (M5)	110	72	42	3	56

**Material:**

CPB130PP "Polypropylene" - SGRC130G "PVC" - BGP "Metal"

**Features:**

The channels allow you to solve all rainwater drainage problems within car parks, courtyards, yards and garages. The channels of the PRATIKO XL line are patented and compliant with the UNI EN 1433 standard. On the internal walls of the channels there are slots for mounting the BGPs for fixing the grills for which it is intended.

