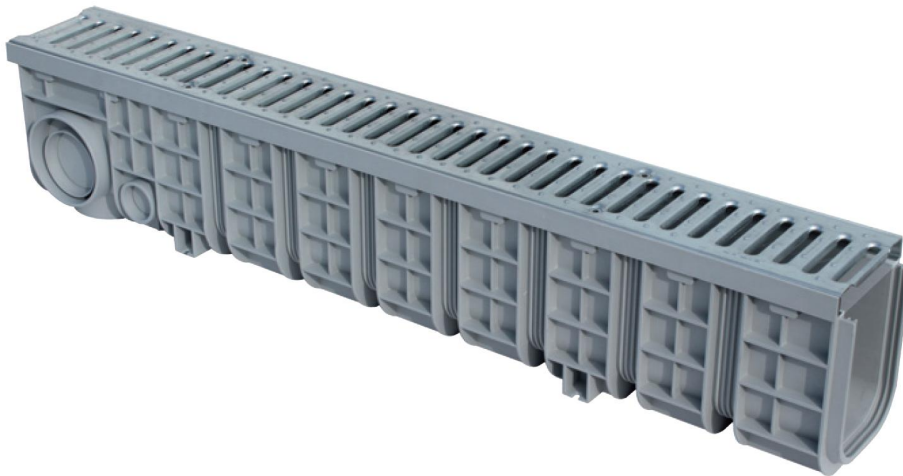


Deep grilled channel 130XL **PRATIKO XL**

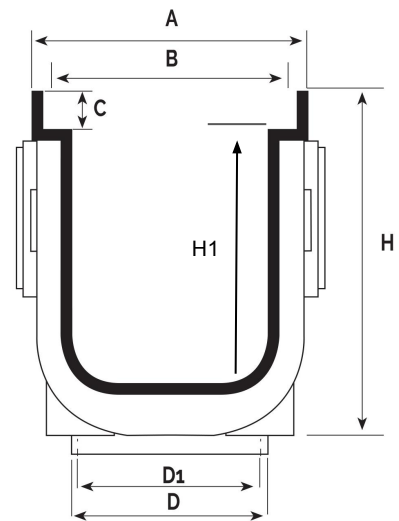
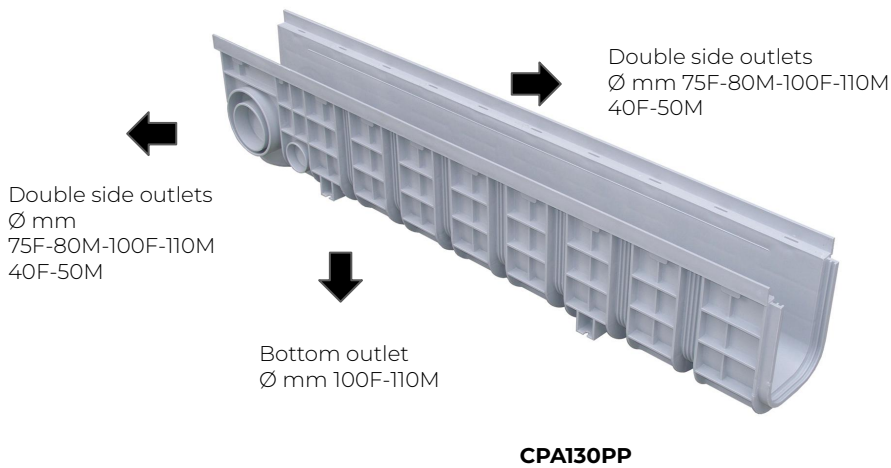


KAZI5XLG

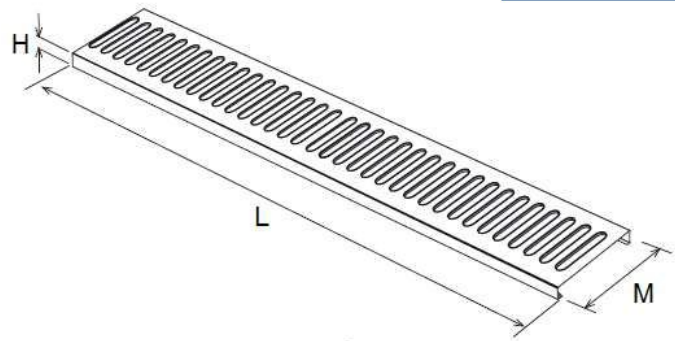
Item
KAZI5XLG

The item **KAZI5XLG** is composed of the following products:

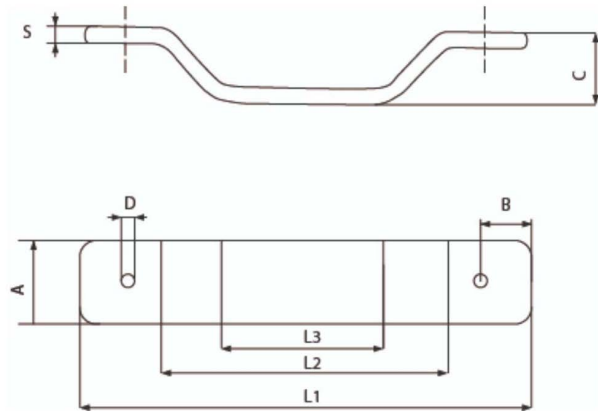
- n. 1 = CPA130PP
- n. 1 = GSZ13999
- n. 2 = BGP130



Item	A mm	B mm	C mm	D mm	D1 mm	H mm	H1 mm	Channel length mm	Weight g
CPA130PP	138	130	20	110M	100F	200	150	150	3500



Item	L mm	H mm	M mm	Water drainage cm ²	Load class	Weight g
GSZ13999	998 +/-1,0	20 +/-1,0	128 +/-1,0	290	A15	1650



Item	A mm	B mm	C mm	D mm	L1 mm	L2 mm	L3 mm	S mm	Weight g
BGP130	20	9	17,5	4,2 (M5)	110	72	42	3	56

Material:

CPA130PP "Polypropylene" - GSZ13999 "Galvanized sheet metal" - BGP "Metal"

Features:

The channels allow you to solve all rainwater drainage problems within car parks, courtyards, yards and garages. The channels of the PRATIKO XL line are patented and compliant with the UNI EN 1433 standard. On the internal walls of the channels there are slots for mounting the BGPs for fixing the grills for which it is intended.

