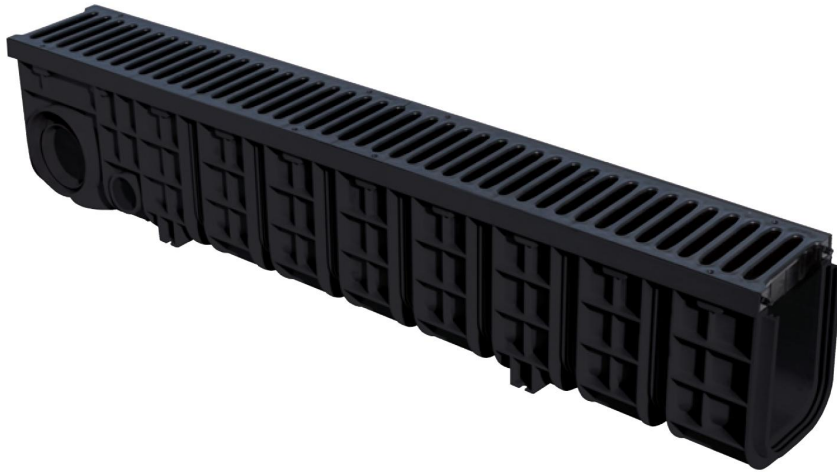


## Deep grilled channel 130XL **PRATIKO XL**

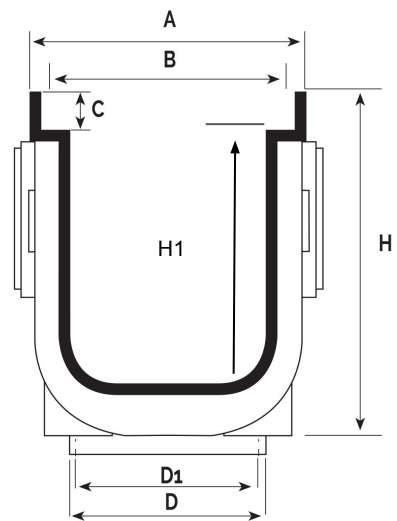
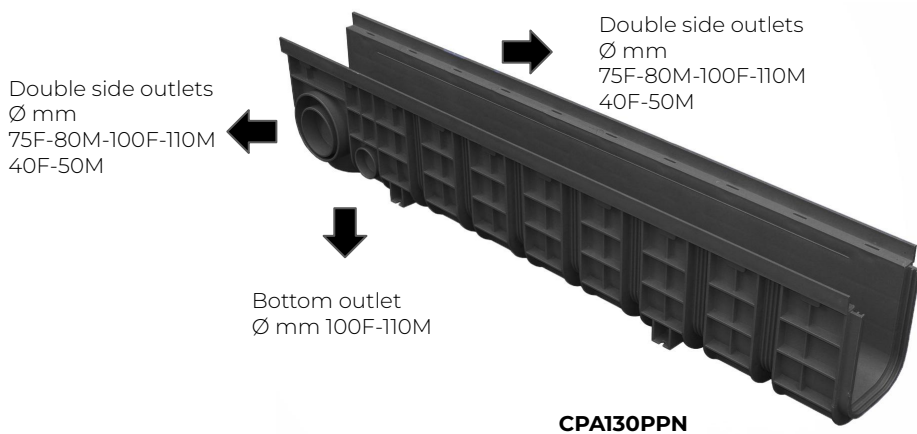


KA125XL

<b>Item</b>
<b>KA125XL</b>

The item **KA125XL** is composed of the following products:

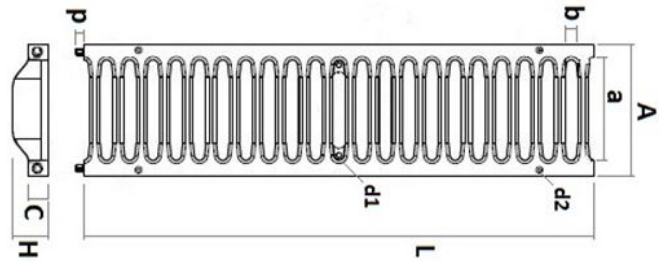
- n. 1 = CPA130PPN
- n. 2 = SGRB130N
- n. 2 = BGP130



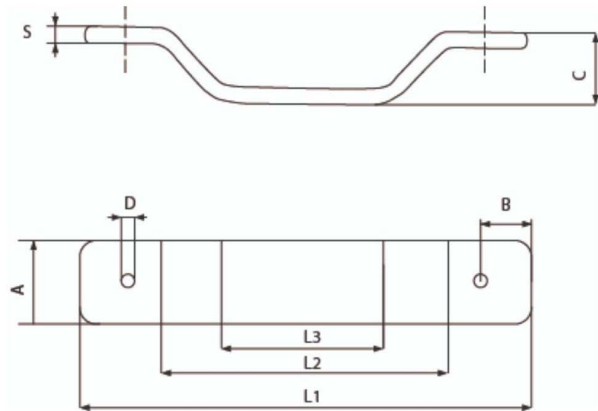
Item	A mm	B mm	C mm	D mm	D1 mm	H mm	H1 mm	Channel length mm	Weight g
<b>CPA130PPN</b>	138	130	20	110M	100F	200	150	1000	3185



Water drainage cm<sup>2</sup> 250



Item	A mm	L mm	C mm	H mm	a mm	b mm	p mm	d1 mm	d2 mm	Weight g	Load class	Breaking load kN
<b>SGRB130N</b>	129	500	20	35	98	12,5	7,5	5,5	3,6	700	A15	65



Item	A mm	B mm	C mm	D mm	L1 mm	L2 mm	L3 mm	S mm	Weight g
<b>BGP130</b>	20	9	17,5	4,2 (M5)	110	72	42	3	56

**Material:**

CPA130PPN "Polypropylene" - SGRB130N "B-TECH" - BGP "Metal"

**Features:**

The channels allow you to solve all rainwater drainage problems within car parks, courtyards, yards and garages. The channels of the PRATIKO XL line are patented and compliant with the UNI EN 1433 standard. On the internal walls of the channels there are slots for mounting the BGPs for fixing the grills for which it is intended.

