

## Kit Garage 130

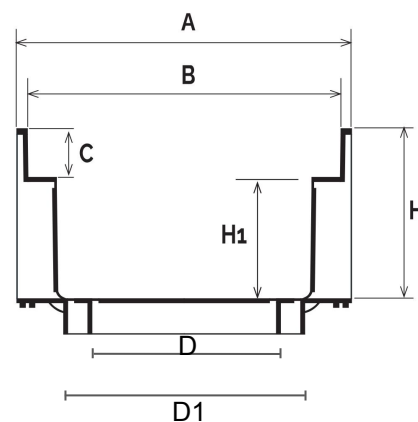
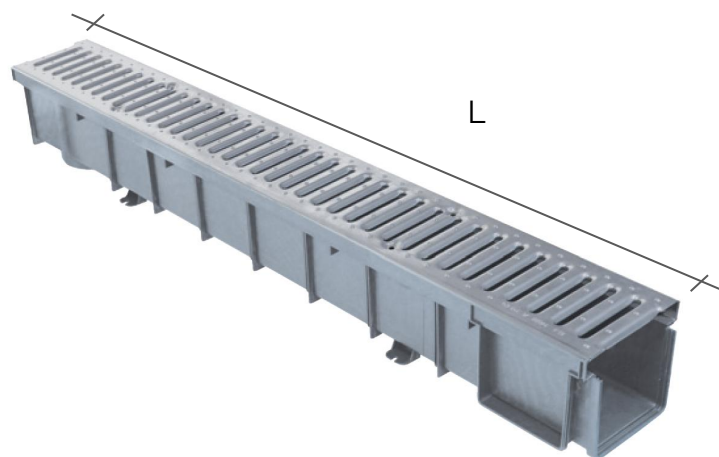


K1308APPZ

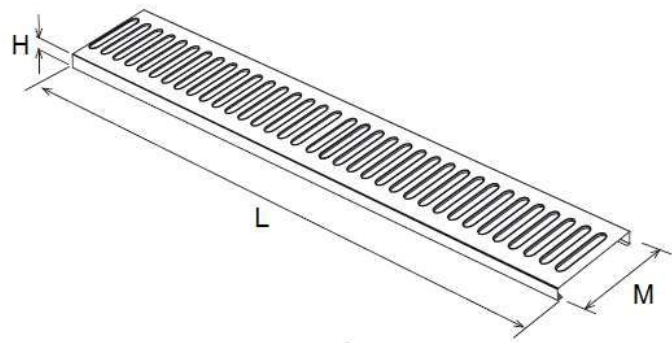
<b>Item</b>
<b>K1308APPZ</b>

The item **K1308APPZ** is composed of the following products:

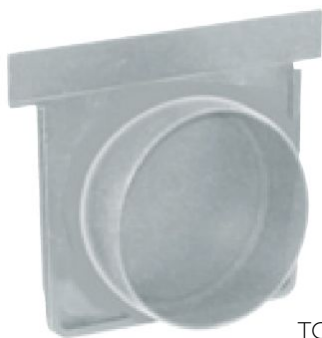
- n. 3 = CSA130PP
- n. 3 = GSZ13999
- n. 2 = TCA13080PP



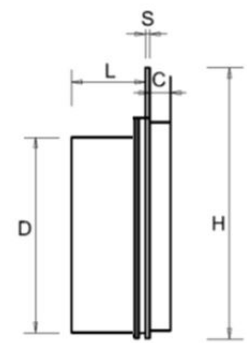
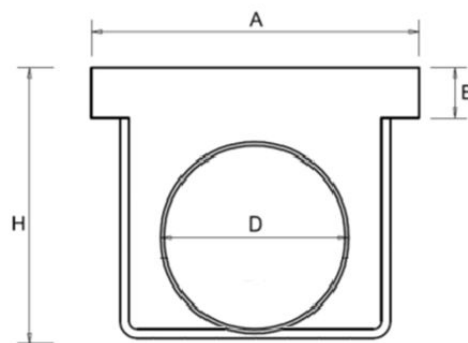
Item	A mm	B mm	C mm	D mm	D1 mm	H mm	H1 mm	L mm
<b>CSA130PP</b>	138	130	20	80M-100M	75M-110M	110	90	1000



Item	L mm	H mm	M mm	Water drainage cm <sup>2</sup>	Load class	Weight g
<b>GSZ13999</b>	998 +/-1,0	20 +/-1,0	128 +/-1,0	265	A15	1650



TCA13080PP



Item	A mm	B mm	C mm	D mm	H mm	L mm	S mm	Weight g
<b>TCA13080PP</b>	138	21,8	8	80-80,3	114	31	1,7	54

**Material:**

CSA130PP "Polypropylene" - GSZ13999 "zincata" - TCA13080PP "Polypropylene"

**Features:**

The channels allow you to solve all rainwater drainage problems within car parks, courtyards, yards and garages.

