

## Kit Garage 130

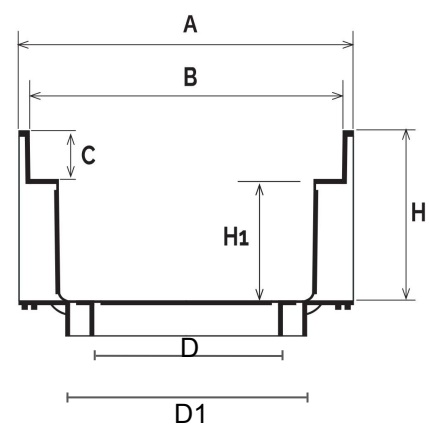
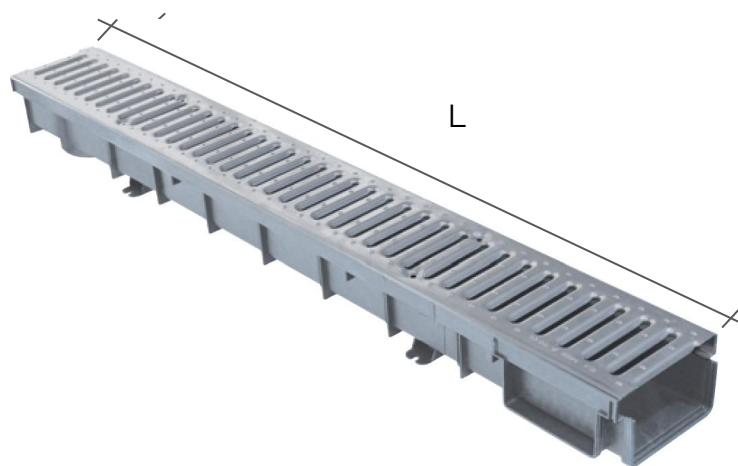


K1306BPPZ

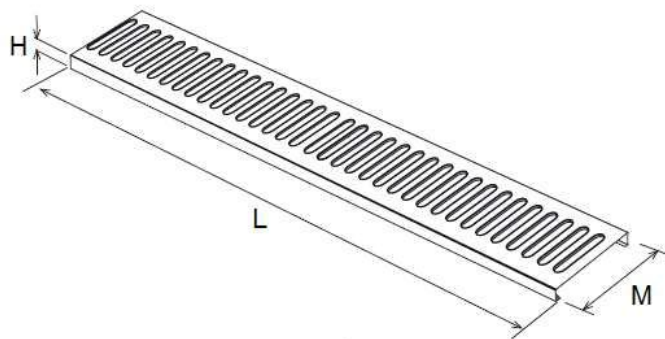
Item
<b>K1306BPPZ</b>

The item **K1306BPPZ** is composed of the following products:

- n. 3 = CSB130PP
- n. 3 = GSZ13999
- n. 2 = TCB13063PP



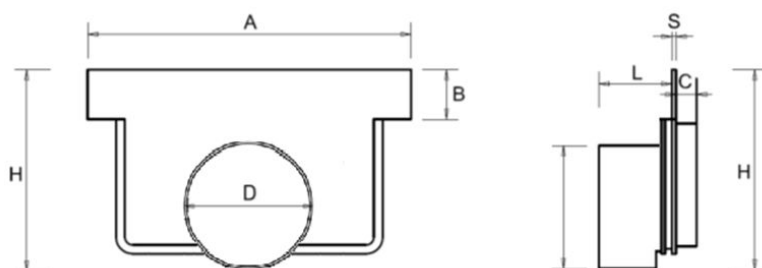
Item	A mm	B mm	C mm	D mm	D1 mm	H mm	H1 mm	L mm
<b>CSB130PP</b>	138	130	20	80M-100M	75M-110M	70	50	1000



Item	L mm	H mm	M mm	Water drainage cm <sup>2</sup>	Load class	Weight g
<b>GSZI3999</b>	998 +/-1,0	20 +/-1,0	128 +/-1,0	290	A15	1650



TCB13063PP



Item	A mm	B mm	C mm	D mm	H mm	L mm	S mm	Weight g
<b>TCB13063PP</b>	138	22	8	63	85	25	1,7	38

**Material:** CSB130PP "Polypropylene" - GSZI3999 "zincata" - TCB13063PP "Polypropylene"

**Features:** The channels allow you to solve all rainwater drainage problems within car parks, courtyards, yards and garages.

