

Kit Garage 130

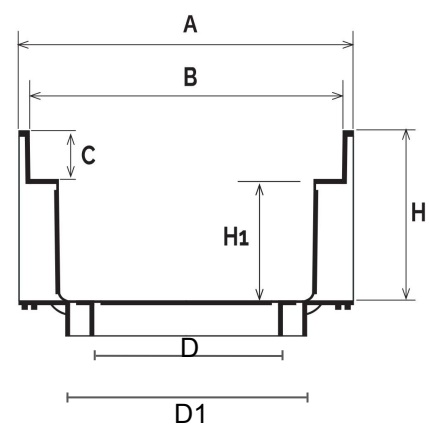
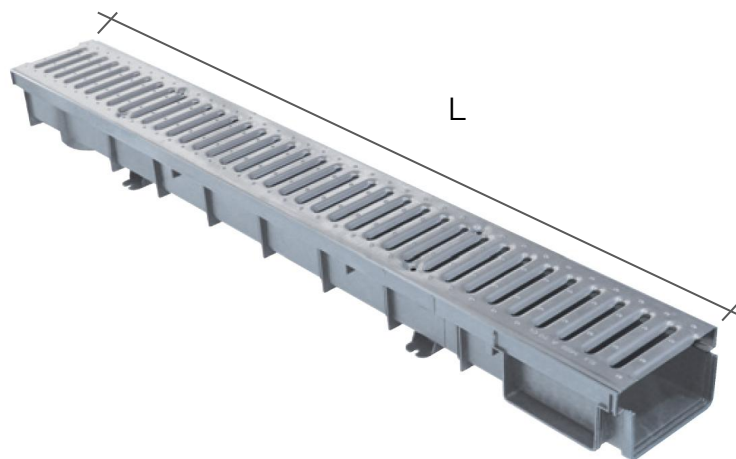


K1305BPPZ

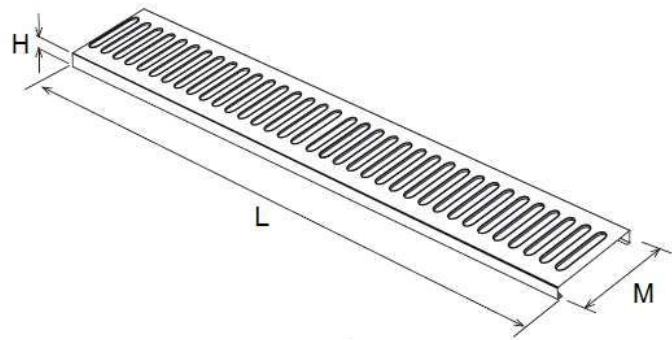
Item
K1305BPPZ

The item **K1305BPPZ** is composed of the following products:

- n. 3 = CSB130PP
- n. 3 = GSZ13999
- n. 2 = TCB13050PP



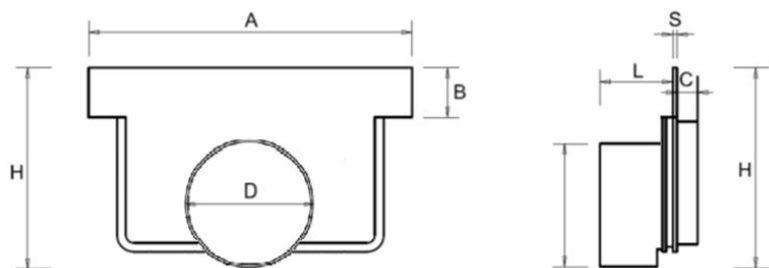
Item	A mm	B mm	C mm	D mm	D1 mm	H mm	H1 mm	L mm
CSB130PP	138	130	20	80M-100M	75M-110M	70	50	1000



Item	L mm	H mm	M mm	Water drainage cm ²	Load class	Weight g
GSZI3999	998 +/-1,0	20 +/-1,0	128 +/-1,0	290	A15	1650



TCB13050PP



Item	A mm	B mm	C mm	D mm	H mm	L mm	S mm	Weight g
TCB13050PP	138	22	8	50	84	25	1,7	34

Material: CSB130PP "Polypropylene" - GSZI3999 "zincata" - TCB13050PP "Polypropylene"

Features: The channels allow you to solve all rainwater drainage problems within car parks, courtyards, yards and garages.

