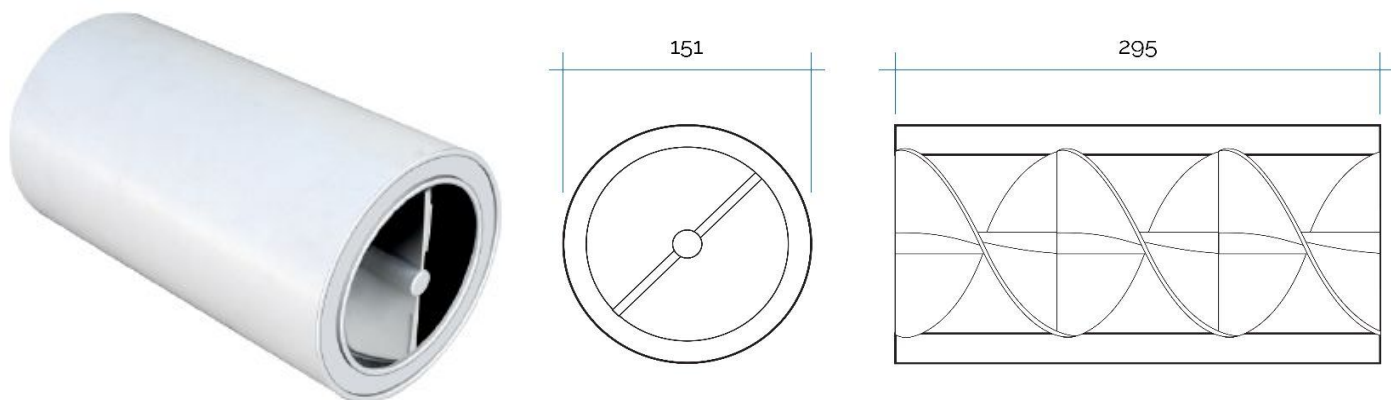


## Helical silencer for ventilation holes in wall



01.  Remove the grille from the ventilation hole.
02.  Check the  $\varnothing$  160 mm for the silencer HE4330.
03.  Install HE4330 in the ventilation hole.
04.  Then you can mount the ventilation grille.

Item	$\varnothing$ Hole mm	Noise reduction dB	Pass Air cm <sup>2</sup>
<b>HE4330</b>	160	up to -43	100

**Description:** Helical silencer for ventilation holes in wall HELIX 43

**Material:** Pipe: ABS plastic  
Sound-absorbing material inside the pipe: expanded polyurethane

**Colour:** White

**Features:** HELIX 43 is a patented soundproofing device suitable for ventilation holes and/or ducts. The product allows a certified noise reduction of 43 dB (tests carried out in compliance with current regulations) with an air passage of 100 cm<sup>2</sup> in compliance with the UNI CIG GAS 7129 standard.

