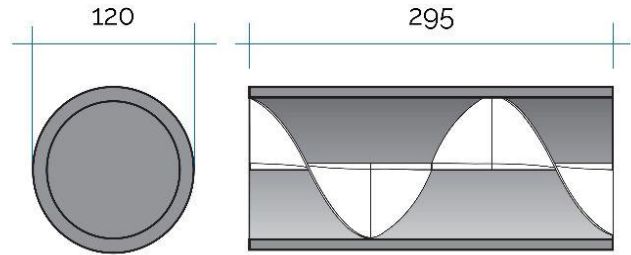


Acoustic reducers for ventilation holes in wall



HE3430



01.  Remove the grille from the ventilation hole.
02.  Check the \varnothing 125 mm for the silencer HE3430.
03.  Install HE3430 in the ventilation hole.
04.  Then you can mount the ventilation grille.

Item	\varnothing Hole mm	Noise reduction dB	Pass Air cm ²	Minimum wall thickness mm
HE3430	120-125	up to -34	100	295

Description: Helical silencer for existing ventilation holes HELIX 34

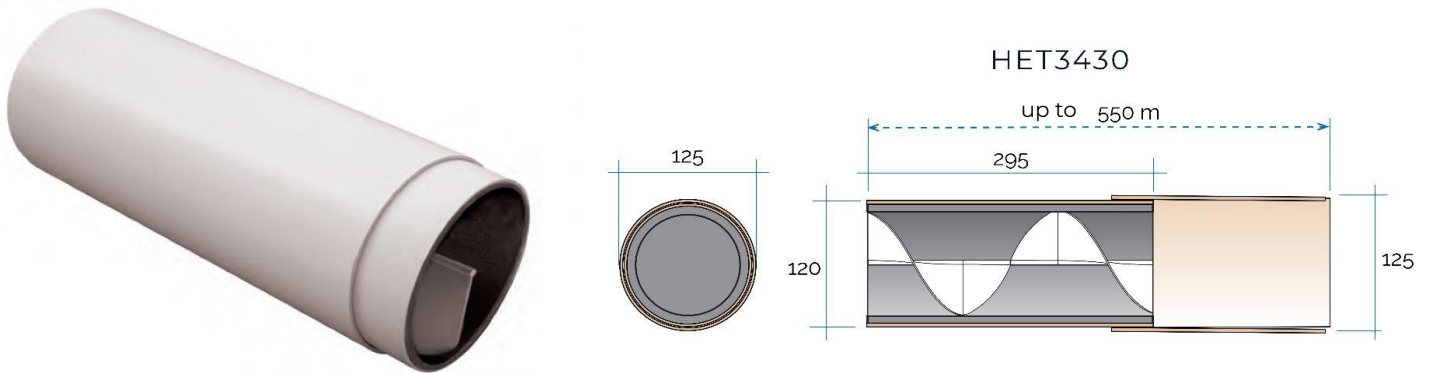
Material: Pipe: ABS plastic
Sound-absorbing material inside the pipe: expanded polyurethane

Colour: White

Features: HELIX 34 is a patented soundproofing device suitable for ventilation holes and/or ducts. The product allows a certified noise reduction of -34 dB (tests carried out in compliance with current regulations) with an air passage of 100 cm² in compliance with the UNI CIG GAS 7129 standard.



Acoustic reducers for ventilation holes in wall



Item	\varnothing Hole mm	Noise reduction dB	Pass Air cm ²	Wall thickness mm
HET3430	125-130	up to -34	100	from 295 to 550

Description: Helical silencer for existing ventilation holes HELIX 34 with telescopic pipe

Material: Pipes: ABS plastic
Sound-absorbing material inside the pipe: expanded polyurethane

Colour: White

Features: HELIX 34 is a patented soundproofing device suitable for ventilation holes and/or ducts. It can adapt to walls up to 550 mm thick thanks to the built-in telescopic tube. The product allows a certified noise reduction of -34 dB (tests carried out in compliance with current regulations) with an air passage of 100 cm² in compliance with the UNI CIG GAS 7129 standard.

