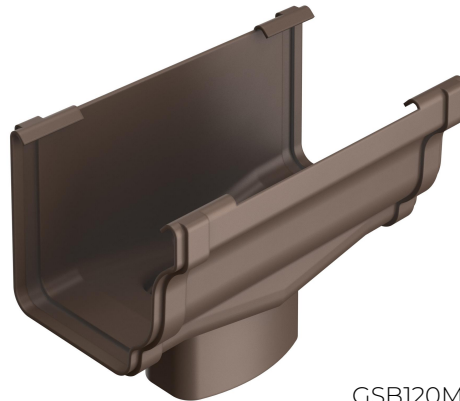


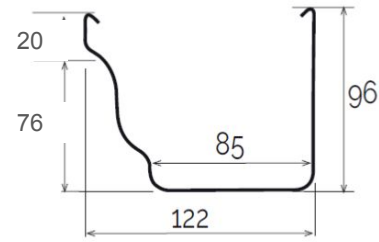
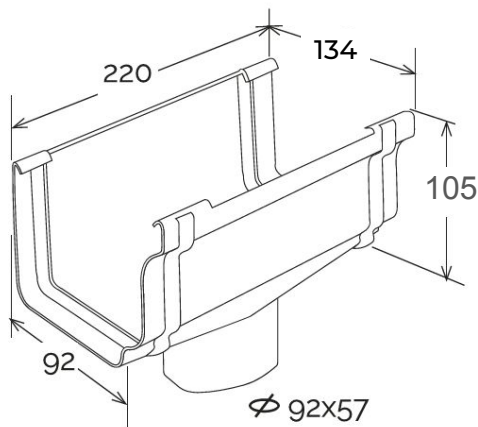
Running outlet BI-SYSTEM for gutter profile Best

BI-SYSTEM

BEST



GSB120M



Section GRB120

Item	Colour	length mm	width mm	height mm	Weight g	Matched gutter profile
GSB120AN	anthracite	134	220	156	264	GRB120AN
GSB120B	white	134	220	156	264	GRB120B
GSB120M	brown	134	220	156	264	GRB120MC
GSB120O	red brown	134	220	156	264	GRB0120C
GSB120S	sand	134	220	156	264	GRB120S

Material: PVC-U

Features: The BI-SYSTEM joint can be used whether glued or fitted with gasket.
GLUING: The joint must be glued to the gutter by inserting it into the specific sockets. Clean the surfaces, then use PVC sealant glue (COFxxx).
FITTING: Clean the surfaces, then place the adhesive gasket (GU27) into its specific slot. Insert the gutter into the specific sockets.

