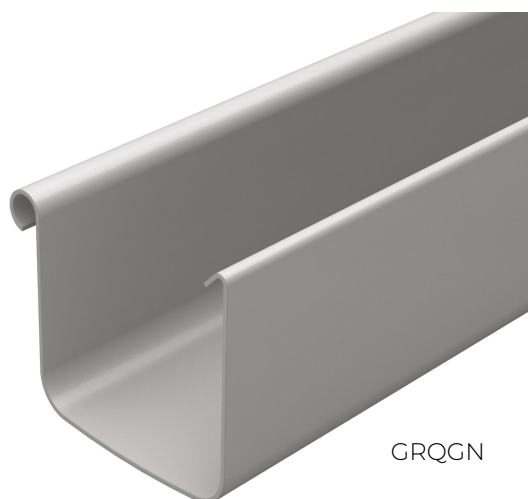
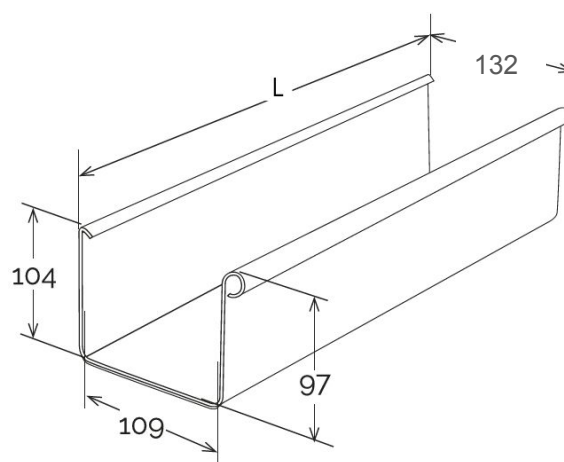
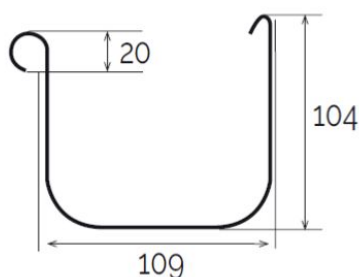


Gutter profile 100x110



GRQGN



Item	Colour	L mm	Gutter section area cm ²	Max water flow rate l/s	Compliance IIP UNI EN 607:2023
GRQGN	grey	4000	91,9	2,81	✓
GRQM	brown	4000	91,9	2,81	✓
GRQM2	brown	2000	91,9	2,81	✓

Material: PVC-U

Features: Gutter extruded with a high performance production system.

