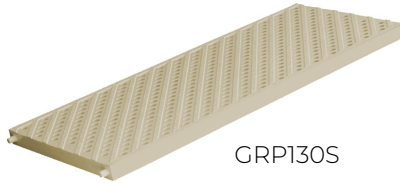


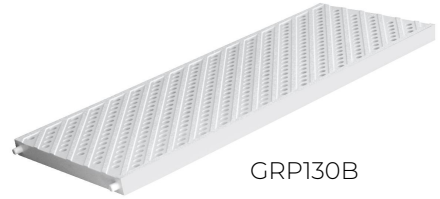
Grate for drainage channel 130 **PRATIKO**



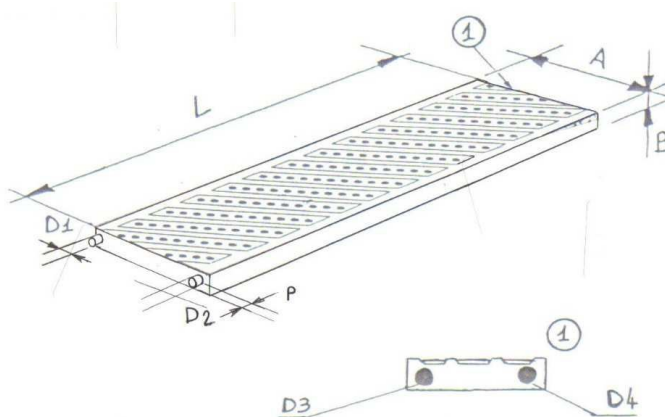
GRPI30G



GRPI30S



GRPI30B



Item	A mm	B mm	D1 - D2 mm	∅ D3 - D4 mm	L mm	P mm	Weight g
GRPI30G	128,2	20	7,9	7,9	500	9,4	540
GRPI30S	128,2	20	7,9	7,9	500	9,4	540
GRPI30B	128,2	20	7,9	7,9	500	9,4	540

Material: PVC-U

Colour: GRPI30G Grey - GRPI30S Sand - GRPI30B White

Features: The anti-heel grate for swimming pools is complete with CE marking, in compliance with the UNI EN 1433 standard.

- Load class A15
- Slipperiness class (UNI EN13451-1:2011 - app. F) 12°
- Section 73 cm² of water drainage (184 slots of ∅ 7,1 mm)

The diameter of the water passage holes (7.1 mm i.e. < 8 mm, complies with the standard UNI EN13451-1:2011 with reference to the anti-trapping requirement.

