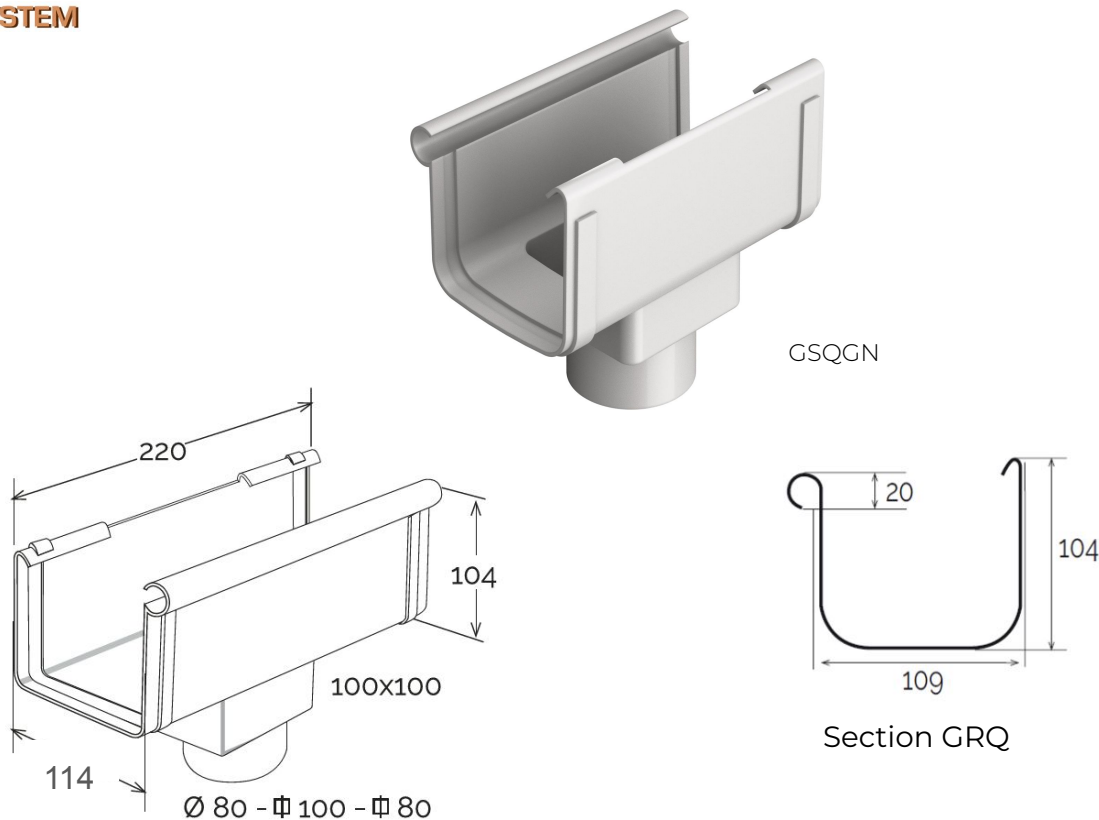


## Running outlet BI-SYSTEM for gutter profile 100x110

BI-SYSTEM



GSQGN

Section GRQ

Item	Colour	length mm	width mm	height mm	Weight g	Matched gutter profile	Compliance IIP UNI EN 607:2005
GSQGN	grey	137	220	184	364	GRQGN	✓
GSQM	brown	137	220	184	364	GRQM	✓

**Material:** PVC-U

**Features:**

The BI-SYSTEM joint can be used whether glued or fitted with gasket.

**GLUING:** The joint must be glued to the gutter by inserting it into the specific sockets. Clean the surfaces, then use PVC sealant glue (COFxxx).

**FITTING:** Clean the surfaces, then place the adhesive gasket (GU27) into its specific slot. Insert the gutter into the specific sockets.

