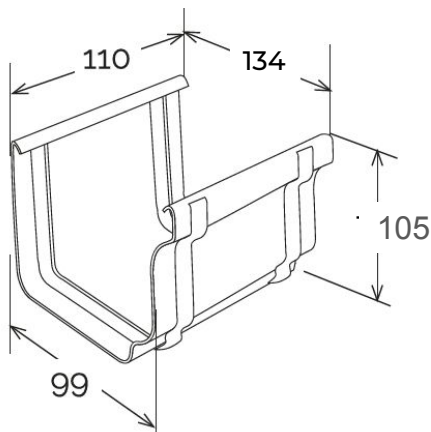
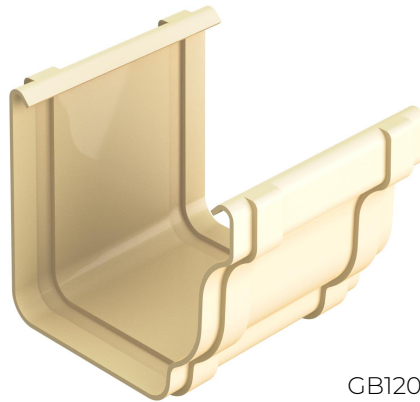


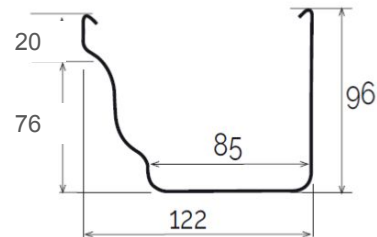
Simple joint BI-SYSTEM for gutter profile Best

BI-SYSTEM

BEST



GB120S



Sezione GRB120

Item	Colour	length mm	width mm	height mm	Weight g	Matched gutter profile
GB120AN	anthracite	134	110	105	146	GRB120AN
GB120B	white	134	110	105	146	GRB120B
GB120M	brown	134	110	105	146	GRB120MC
GB120O	red brown	134	110	105	146	GRBO120C
GB120S	sand	134	110	105	146	GRB120S

Material: PVC-U

Features:

The BI-SYSTEM joint can be used whether glued or fitted with gasket.

GLUING: The joint must be glued to the gutter by inserting it into the specific sockets. Clean the surfaces, then use PVC sealant glue (COFxxx).

FITTING: Clean the surfaces, then place the adhesive gasket (GU27) into its specific slot. Insert the gutter into the specific sockets.

