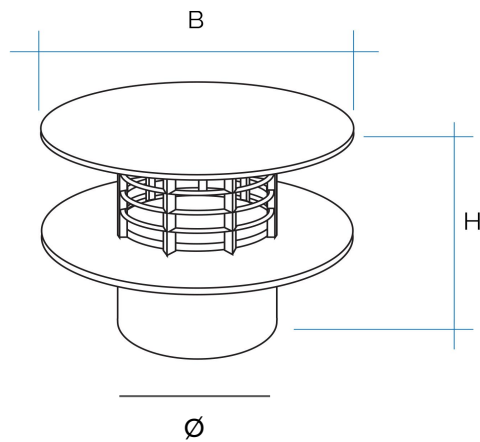
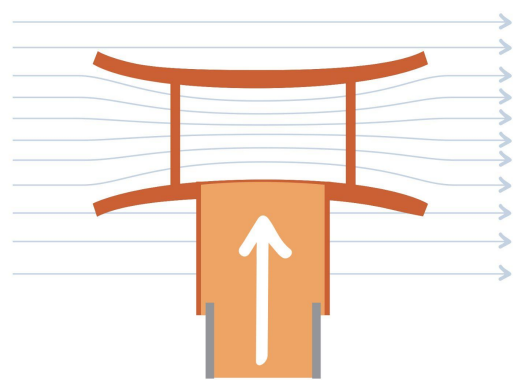


## Static air extractors for drainage networks



Item	Colour	BxH mm	Ø Hole mm
<b>ES100RT</b>	brick red	200x135	100 F
<b>ES100A</b>	black	200x135	100 F

**Description:** Static air extractor for drainage networks

**Material:** PVC plastic

**Features:** Thanks to its particular geometric shape, the static extractor generates a natural Venturi effect, favoring the draft of the ventilation duct even in adverse weather conditions.

