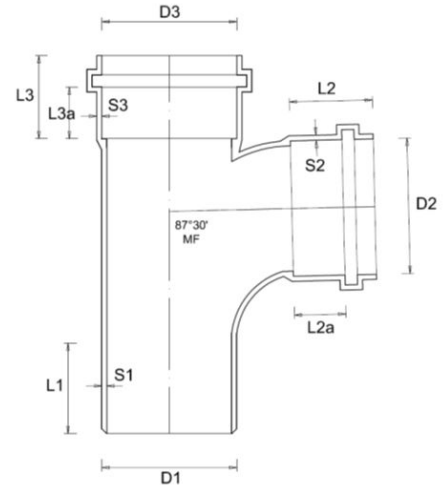
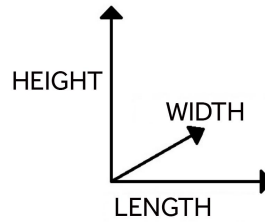


Sewerage series - Branch 87° 30' -



DSOG45160



REFERENCE REGULATIONS: EN 1401-1:2019

Description	U/M	Item		
		DSOG87160	DSOG87200	DSOG87250
D1 (M)	mm	160	200,0	250,0
D2 (F)	mm	160,7	200,8	250,9
D3 (F)	mm	160,7	200,8	250,9
L1 (M)	mm	69	93	132
L2 (F)	mm	57	67	116
L2a (F)	mm	32	38	69
L3 (F)	mm	56	67	116
L3a (F)	mm	31	38	69
S1 (M)	mm	3,3	5,0	5,0
S2 (F)	mm	2,9	4,6	4,6
S3 (F)	mm	2,8	4,6	4,6
lunghezza	mm	270	325	400
larghezza	mm	185	225	280
altezza	mm	330	415	525
peso	g	1060	2405	4130

Material: PVC-U

Colour: Grey RAL 7037

Features: The 87° 30' branches including O'RING gasket are used for:
 - Discharges of civil and industrial waste water (white, black and mixed water).
 - Industrial, agricultural and waste water discharges in general within the limit of the chemical resistance of the materials.

