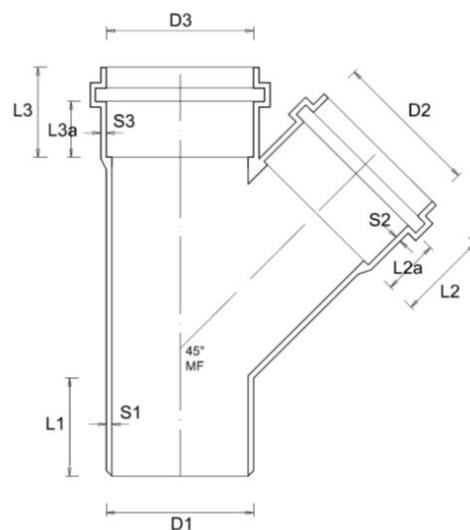
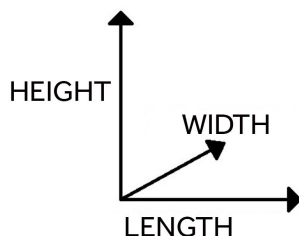


Sewerage series - Branch 45° -



DSOG45160

REFERENCE REGULATIONS: EN 1401-1:2019



Description	U/M	Item		
		DSOG45160	DSOG45200	DSOG45250
D1 (M)	mm	160	200	250
D2 (F)	mm	160,7	200,9	250,8
D3 (F)	mm	160,5	200,8	250,8
L1 (M)	mm	78	89	126
L2 (F)	mm	52	64	116
L2a (F)	mm	28	36	69
L3 (F)	mm	52	64	116
L3a (F)	mm	29	36	69
S1 (M)	mm	3,5	4	5,3
S2 (F)	mm	2,9	3,6	4,8
S3 (F)	mm	2,9	3,6	4,8
lunghezza	mm	325	410	530
larghezza	mm	185	225	280
altezza	mm	370	450	608
peso	g	1300	2300	5130

Material: PVC-U

Colour: Grey RAL 7037

Features: The 45° branches including O'RING gasket are used for:
 - Discharges of civil and industrial waste water (white, black and mixed water).
 - Industrial, agricultural and waste water discharges in general within the limit of the chemical resistance of the materials.

