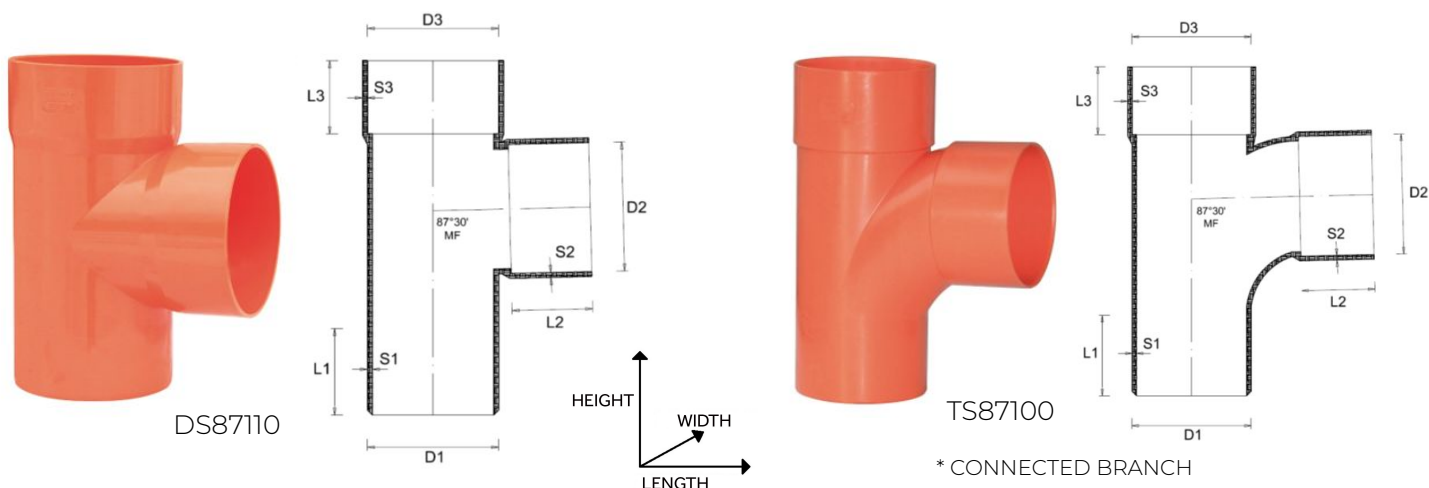


# DATA SHEET

## Basic range building fittings - branch 87° 30' -



REFERENCE REGULATIONS: UNI EN 1329-1:2021

Item	D1 (M) mm	D2 (F) mm	D3 (F) mm	L1 (M) mm	L2 (F) mm	L3 (F) mm	S1 (M) mm	S2 (F) mm	S3 (F) mm	Weight g	Length mm	Width mm	Height mm
<b>DS87040</b>	40,0	40,4	40,4	28	28	27	2,1	2,3	2,1	66	79	47	106
<b>DS87050</b>	50,0	50,4	50,4	33	32	32	2,3	2,4	2,4	104	101	57	128
<b>DS87063</b>	63,0	63,4	63,4	55	38	38	3,0	2,2	2,2	148	121	68	158
<b>DS87080</b>	80,0	80,5	80,5	58	47	47	3,1	3,3	3,3	270	144	87	197
<b>DS87082</b>	82,0	82,5	82,5	49	44	44	3,3	3,2	3,3	268	144	89	187
<b>TS87100*</b>	100,0	100,5	100,5	60	60	57	3,0	2,7	2,7	444	191	107	248
<b>DS87110</b>	110,0	110,6	110,6	90	61	61	3,2	3,2	3,2	542	205	118	267
<b>DS87125</b>	125,0	125,7	125,7	66	55	54	3,1	3,0	3,1	518	193	132	257
<b>TS87140*</b>	140,0	140,8	140,8	66	66	62	3,1	2,8	2,8	706	238	146	308
<b>TS87160*</b>	160,0	160,8	160,8	64	64	61	3,2	3,0	2,8	916	273	167	335
<b>TS87200*</b>	200,0	200,9	200,9	93	93	76	5,0	4,6	4,6	2.190	327	210	425

**Material:** PVC-U

**Colour:** Orange RAL 2008

**Features:** The products of the construction fittings line to be bonded produced by First Plast are made of PVC-U in compliance with the requirements prescribed by the UNI EN1329-1:2021 standard relating to low and high temperature drainages within the structure of buildings.



FIRST PLAST S.r.l.  
Località Isola Grande  
17041 ALTARE (SV) - ITALIA  
Tel. +39 019 58511  
Email: export.first@firstcor.com



**FIRST**  
CORPORATION