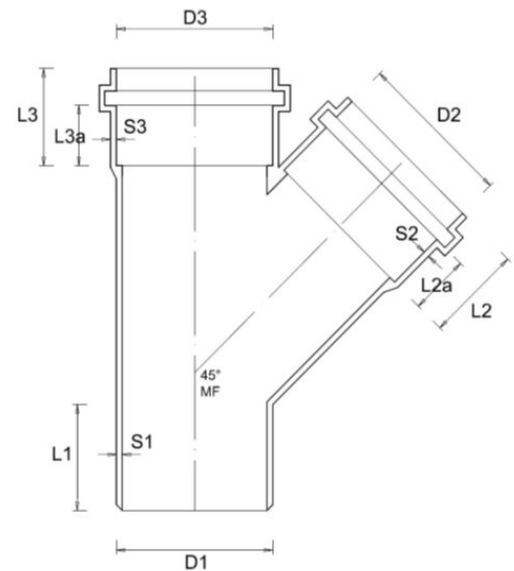
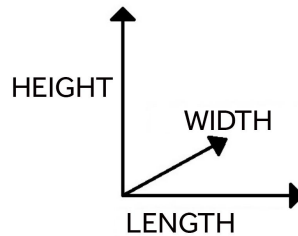


DATA SHEET

Sanwerage series - Branch 45° -



DOA45160



REFERENCE REGULATIONS: EN 1401-1:2019

Description	U/M	Item		
		DOA45160	DOA45200	DOA45250
D1 (M)	mm	160	200	250
D2 (F)	mm	160,7	200,9	250,8
D3 (F)	mm	160,5	200,8	250,8
L1 (M)	mm	78	89	126
L2 (F)	mm	52	64	116
L2a (F)	mm	28	36	69
L3 (F)	mm	52	64	116
L3a (F)	mm	29	36	69
S1 (M)	mm	3,5	4	5,3
S2 (F)	mm	2,9	3,6	4,8
S3 (F)	mm	2,9	3,6	4,8
lunghezza	mm	325	410	530
larghezza	mm	185	225	280
altezza	mm	370	450	608
peso	g	1300	2300	5130

Material: PVC-U

Colour: Red RAL 8023

Features: The 45° branches including O'RING gasket are used for:
 - Discharges of civil and industrial waste water (white, black and mixed water).
 - Industrial, agricultural and waste water discharges in general within the limit of the chemical resistance of the materials.



FIRST PLAST S.r.l.
 Località Isola Grande
 17041 ALTARE (SV) - ITALIA
 Tel. +39 019 58511
 Email: export.first@firstcor.com



FIRST
 CORPORATION